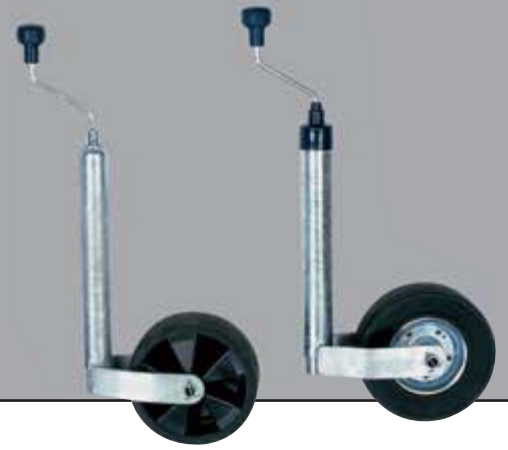
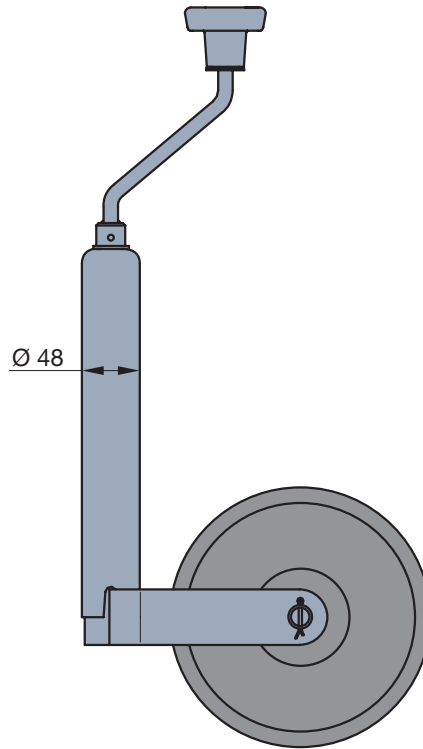


Surface fully hot-dip galvanised for long-lasting surface protection • Secure positioning thanks to high stability • Long crank handle and thrust bearing ensure that the jockey wheel can be moved easily and conveniently



3.4 Jockey wheels with thrust bearing. Static load up to 150 kg



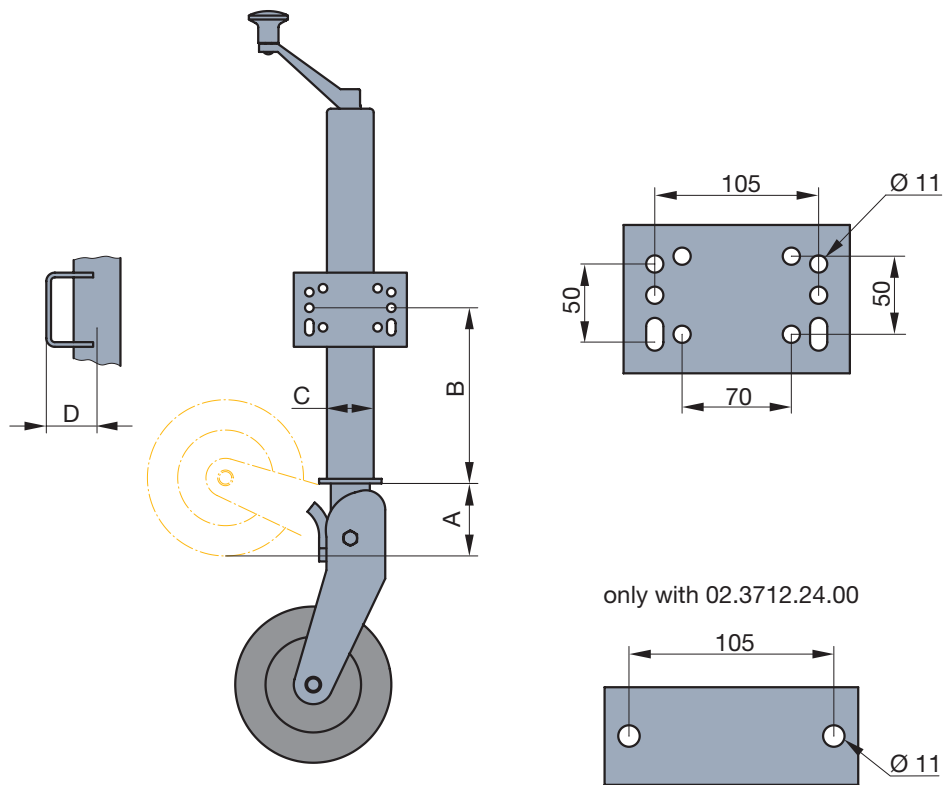
Rim	Tyres	Wheel size	Unscrewed length [mm]	Static load [kg]	Order no.	Weight [kg]
Steel	Solid rubber	Ø 200x50	220	150	02.3712.19.00	4.6
Plastic	Solid rubber	Ø 200x50	220	150	02.3712.05.00	4.4

Clamping holder, see page 125

Fully galvanised surface for long-lasting surface protection • Easy to operate thanks to fully automatic folding wheel



3.4 Fully automatic folding jockey wheels with reinforced inner tube. Static load up to 250 kg

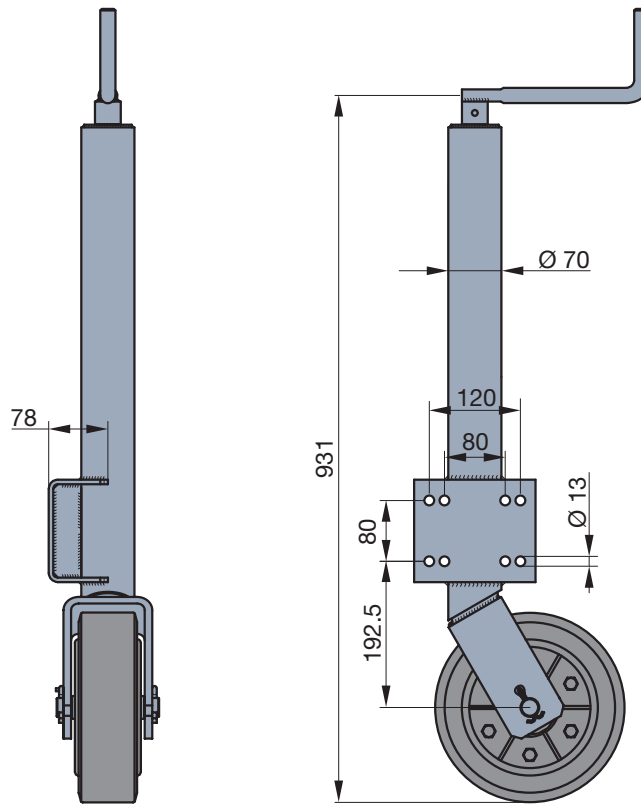


Rim	Tyres	Wheel size	Unscrewed length [mm]	Static load [kg]	BPW order no.	Dimensions [mm]				Weight [kg]
						A	B	C	D	
Steel	Solid rubber	Ø 200x50	470	250	02.3712.21.00	75	75	sq. 60	65	7.0
Steel	Solid rubber	Ø 200x50	460	250	02.3712.23.00	75	180	sq. 60	60	10.7
Steel	Solid rubber	Ø 200x50	470	250	02.3712.24.00	75	75	sq. 60	40	9.2
Steel	Pneumatic tyres	Ø 260x85	470	250	02.3712.26.00	85	225	Ø 60	65	10.0
Steel	Solid rubber	Ø 200x50	470	250	05.375.48.05.0	85	75	Ø 60	47	10.4

Fully galvanised surface for long-lasting surface protection •
 Able to cope with the most exacting requirements



3.4 Jockey wheels (heavy-duty jockey wheel). Load at standstill up to 500 kg



[Accessories]

Rim	Tyres	Wheel size	Unscrewed length [mm]	Static load [kg]	Order no.	Weight [kg]
Aluminium	Solid rubber	Ø 250x70	380	500	05.375.48.11.0	20.5