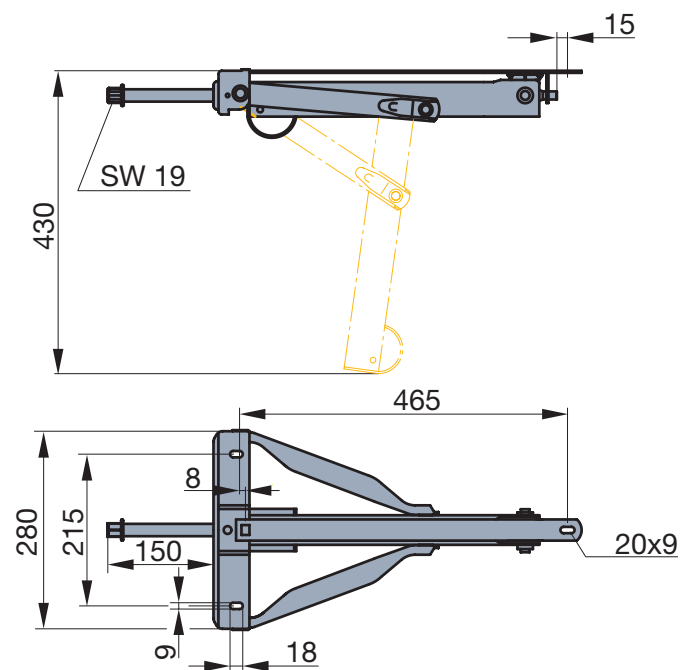
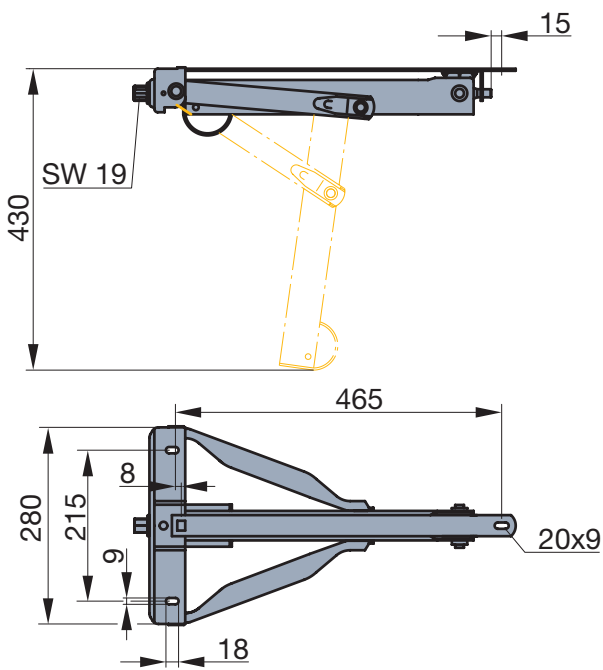




3.6 Cranked supports



Cranked support up to 500 kg

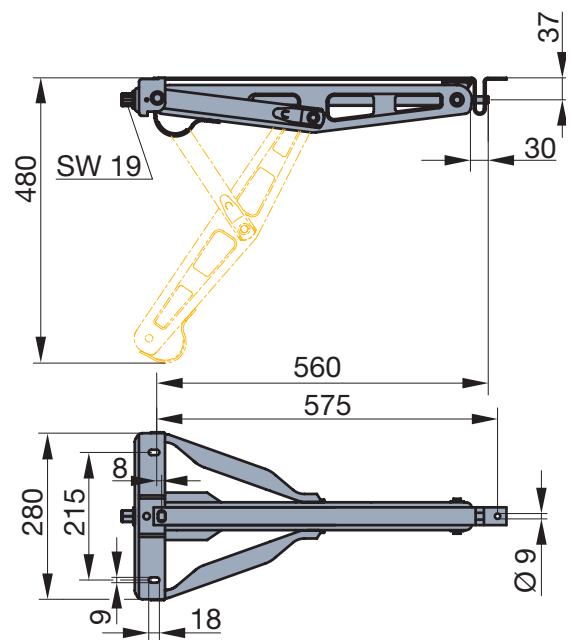
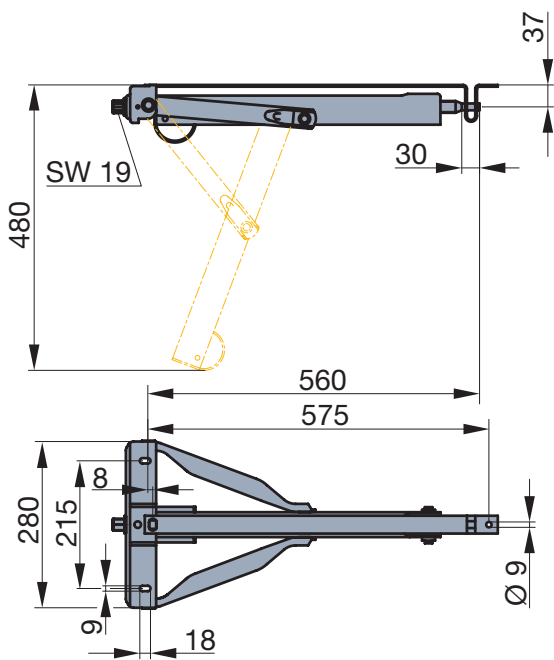
Order no. 02.3708.42.00

Weight 4.2 kg

Cranked support up to 500 kg with extended spindle

Order no. 02.3708.43.00

Weight 4.5 kg



Cranked support up to 500 kg with extended unscrewing length

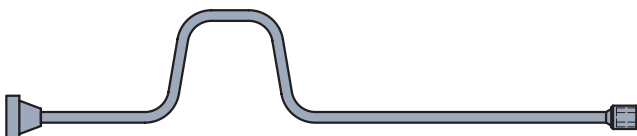
Order no. 05.803.02.39.0

Weight 4.3 kg

Heavy duty cranked support up to 750 kg

Order no. 05.803.02.37.0

Weight 5.6 kg



Crank handle for cranked support

Order no.	Weight [kg]
02.1404.06.00	0.6