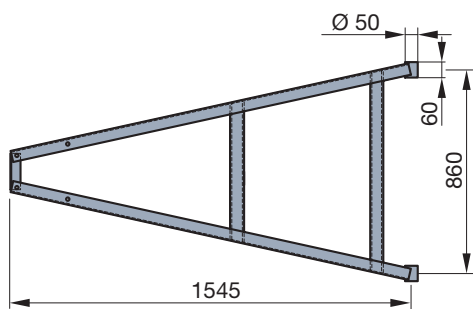
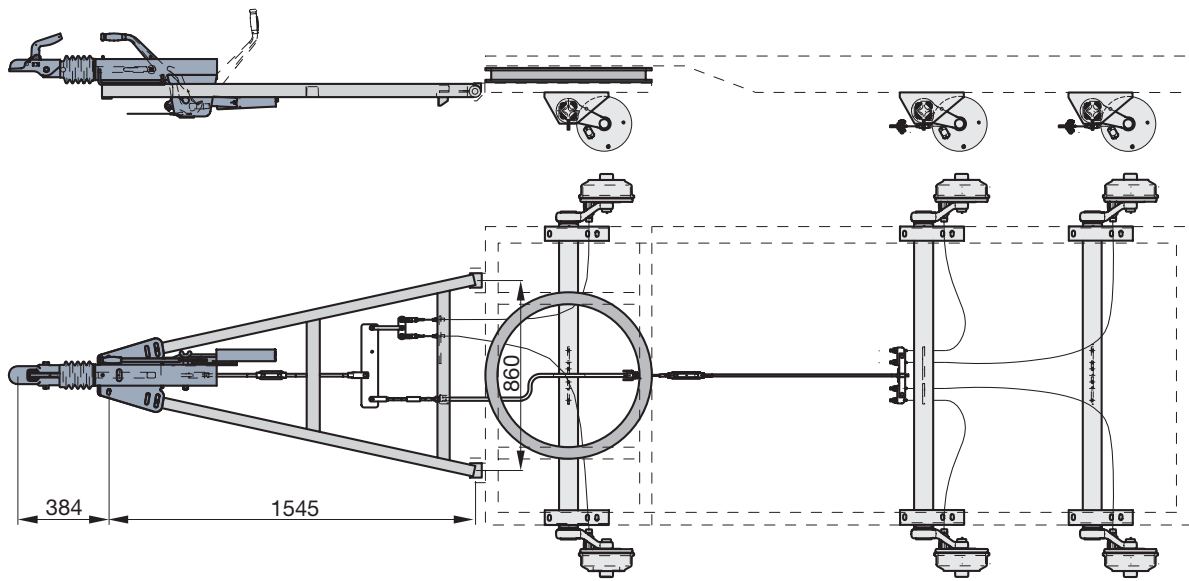


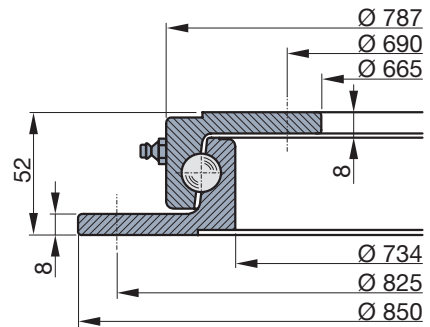
BPW supplies the complete undergear with fifth wheel for special requirements. Available as either 2 or 3-axle configuration.



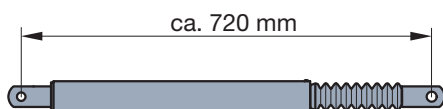
2.8 Running gear technology for turntable drawbar trailers



05.447.09.13.0 (Drawbar)

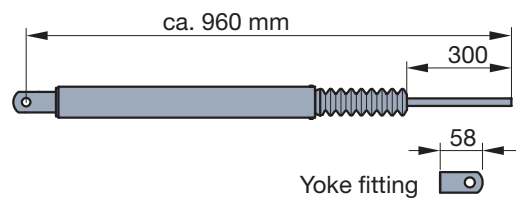


05.002.02.04.0 (Turntable)



51.98.01.0013 Klemmfix 72/Z (Tension)

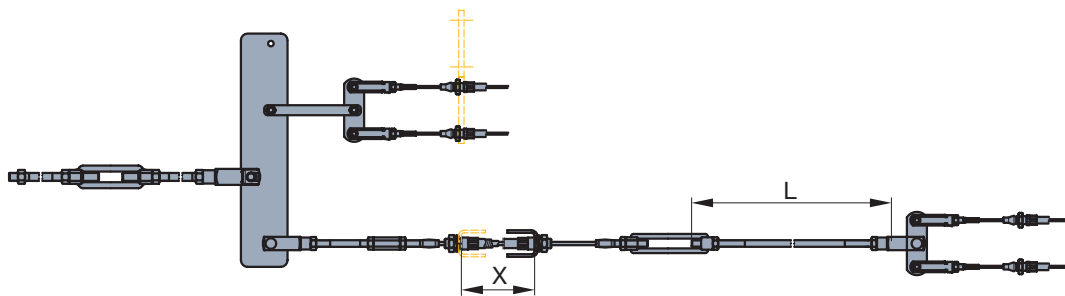
51.98.01.0015 Klemmfix 72/D-PAL (Compression)



51.98.01.0014 Klemmfix 72/D (Compression)

Following the introduction of the EU driving licence, the restriction on the axle centre distance and the number of axles for car and light truck trailers has been lifted. This means it is now possible to use turntable drawbar trailers with overrun brakes for both cars and light trucks. Multiple axle trailers have the following advantages over twin or single-axle trailers: • Simple load distribution due to variable wheelbase • Long vehicle bodies can be accommodated • Safe driving characteristics as the effects of drawbar load and load distribution no longer apply • Drawbar remains at the required height due to the BPW Klemmfix height setting and retaining fixture • Accessories such as a jockey wheel and support legs are not required.

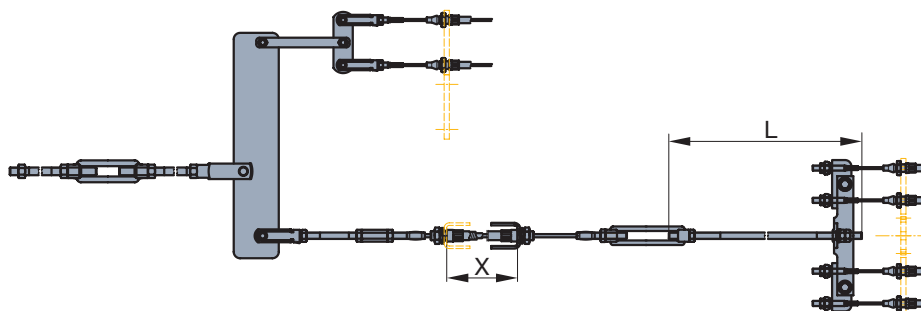
Connection of brake linkage in twin-axle turntable drawbar trailer



Pull rod group 05.439.44.14.0

Axle load	Towing attachment	Wheel brake
2650 – 3000 kg	ZAF 3.5 – 1 (48.51.581.010)	Standard axle 1500 kg, CB1505 with wheel brake S 2005 – 7 RASK
2400 – 3500 kg	ZAF 3.5 – 1 (48.51.581.012)	Standard axle 1800 kg, CB1805 with wheel brake S 2504 – 7 RASK

Connection of brake linkage in three-axle turntable drawbar trailer



Pull rod group 05.439.40.88.0

Axle load	Towing attachment	Wheel brake
2650 – 3000 kg	ZAF 3.5 – 1 (48.51.581.010)	Standard axle 1350 kg, CB1305 with wheel brake S 2005 – 7 RASK

Brake cables for two and three-axle turntable drawbar trailers

Brake cable	Envelope X	Cable	Pull rod	Length L
05.089.00.59.0	2030 mm	2330 mm	03.399.59.49.0	2000 mm
05.089.00.61.0	1630 mm	1930 mm	03.399.59.50.0	2500 mm
05.089.00.63.0	1250 mm	1550 mm	03.399.59.51.0	3000 mm