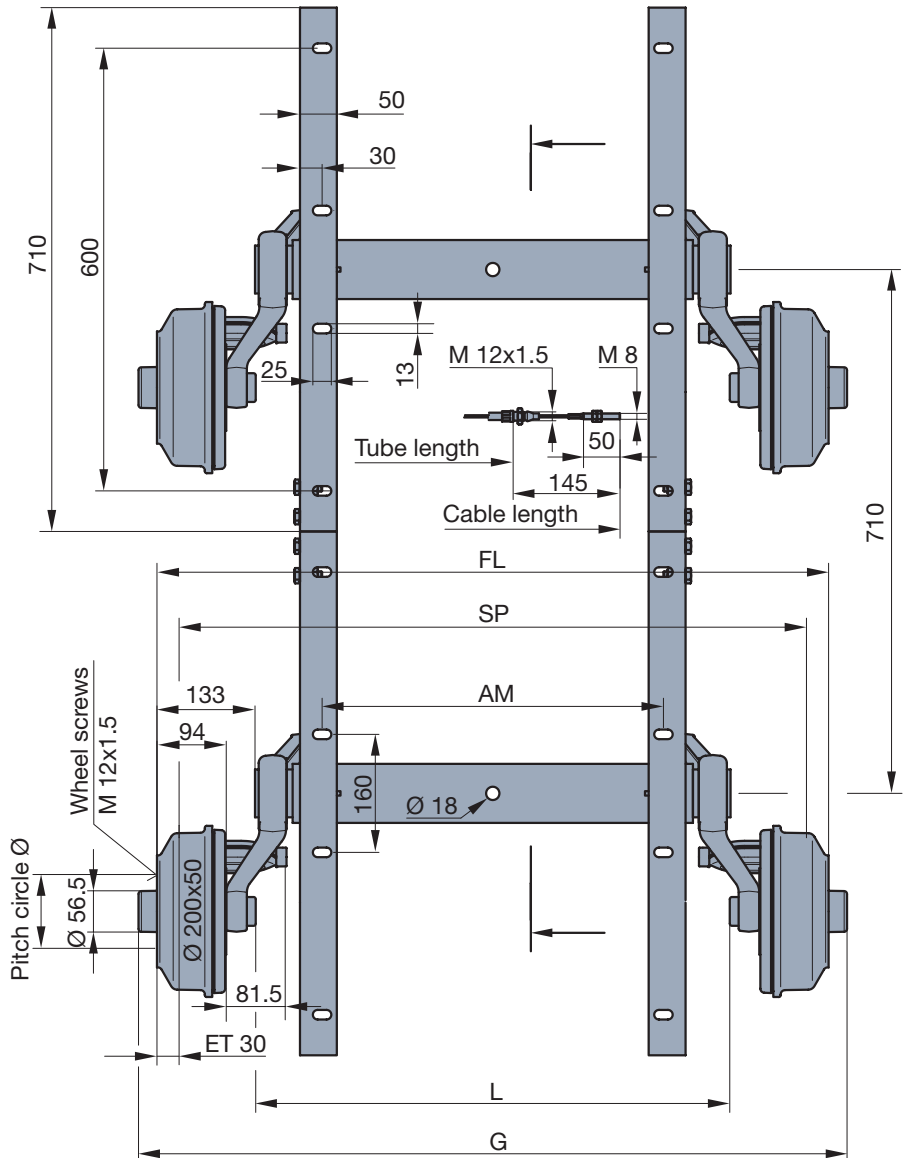
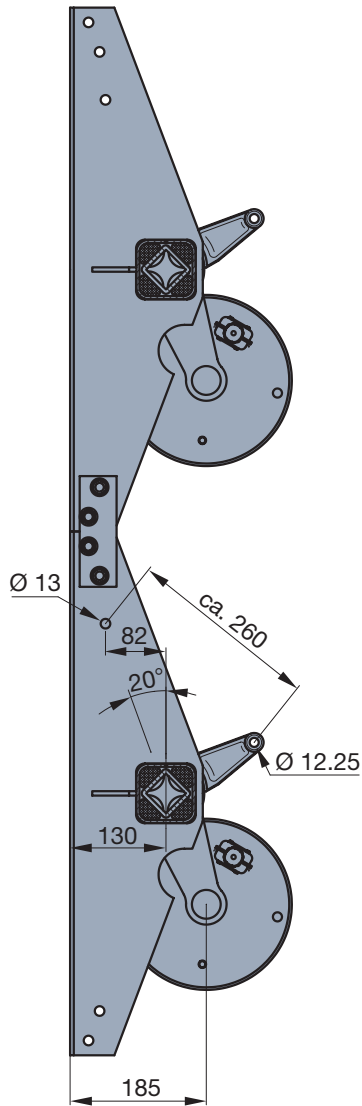




2.4 SWING rubber suspension tandem units with composite supports, gross vehicle weight rating 2100 kg, wheel brake S 2005-7 RASK



Axle beam fully hot-dip galvanised: Long-term surface protection • Independent suspension: Optimum compensation for uneven road surfaces • Zero-maintenance suspension: Reduced maintenance costs • Robust axle structure: Suitable for extreme conditions such as when driving off-road or on building sites • Robust, easy-to-maintain wedge-type brakes with automatic reversing operation: Straightforward adjustment from outside the brake, brake cables can be connected subsequently without removing the brake drums • Incl. wheel shock absorber mounting

Marketed under Order no. acc. to wheel connection			Dimensions [mm]					
CB 2/1054	CB 2/1055	CB 2/1055	FL	SP	AM	L	G	Weight [kg]
4/ø100/60°	5/ø112/R12	5/ø112/60°						
49.21.379.130	49.21.379.150	49.21.379.170	1450	1390	1000	1172	1500	120.0
49.21.379.131	49.21.379.151	49.21.379.171	1500	1440	1050	1222	1550	121.0
49.21.379.132	49.21.379.152	49.21.379.172	1550	1490	1100	1272	1600	122.0
49.21.379.133	49.21.379.153	49.21.379.173	1600	1540	1150	1322	1650	123.0
49.21.379.134	49.21.379.154	49.21.379.174	1650	1590	1200	1372	1700	124.0
49.21.379.135	49.21.379.155	49.21.379.175	1700	1640	1250	1422	1750	125.0
49.21.379.136	49.21.379.156	49.21.379.176	1750	1690	1300	1472	1800	126.0
49.21.379.137	49.21.379.157	49.21.379.177	1800	1740	1350	1522	1850	127.0
49.21.379.138	49.21.379.158	49.21.379.178	1850	1790	1400	1572	1900	128.0
49.21.379.139	49.21.379.159	49.21.379.179	1900	1840	1450	1622	1950	129.0
49.21.379.140	49.21.379.160	49.21.379.180	1950	1890	1500	1672	2000	130.0
49.21.379.141	49.21.379.161	49.21.379.181	2000	1940	1550	1722	2050	131.0
49.21.379.142	49.21.379.162	49.21.379.182	2050	1990	1600	1772	2100	132.0
49.21.379.143	49.21.379.163	49.21.379.183	2100	2040	1650	1822	2150	133.0
49.21.379.144	49.21.379.164	49.21.379.184	2150	2090	1700	1872	2200	134.0
49.21.379.145	49.21.379.165	49.21.379.185	2200	2140	1750	1922	2250	135.0
49.21.379.146	49.21.379.166	49.21.379.186	2250	2190	1800	1972	2300	136.0
49.21.379.147	49.21.379.167	49.21.379.187	2300	2240	1850	2022	2350	137.0
49.21.379.148	49.21.379.168	49.21.379.188	2350	2290	1900	2072	2400	138.0

Brake linkage components for single axle, see page 116
Shock absorbers, see page 128

Speed up to 140 km/h

Drawbar connection: Clamping components, see accessories on page 120

Recommended wheel size: 6 J x 16 H2

Special wheel connections: on request

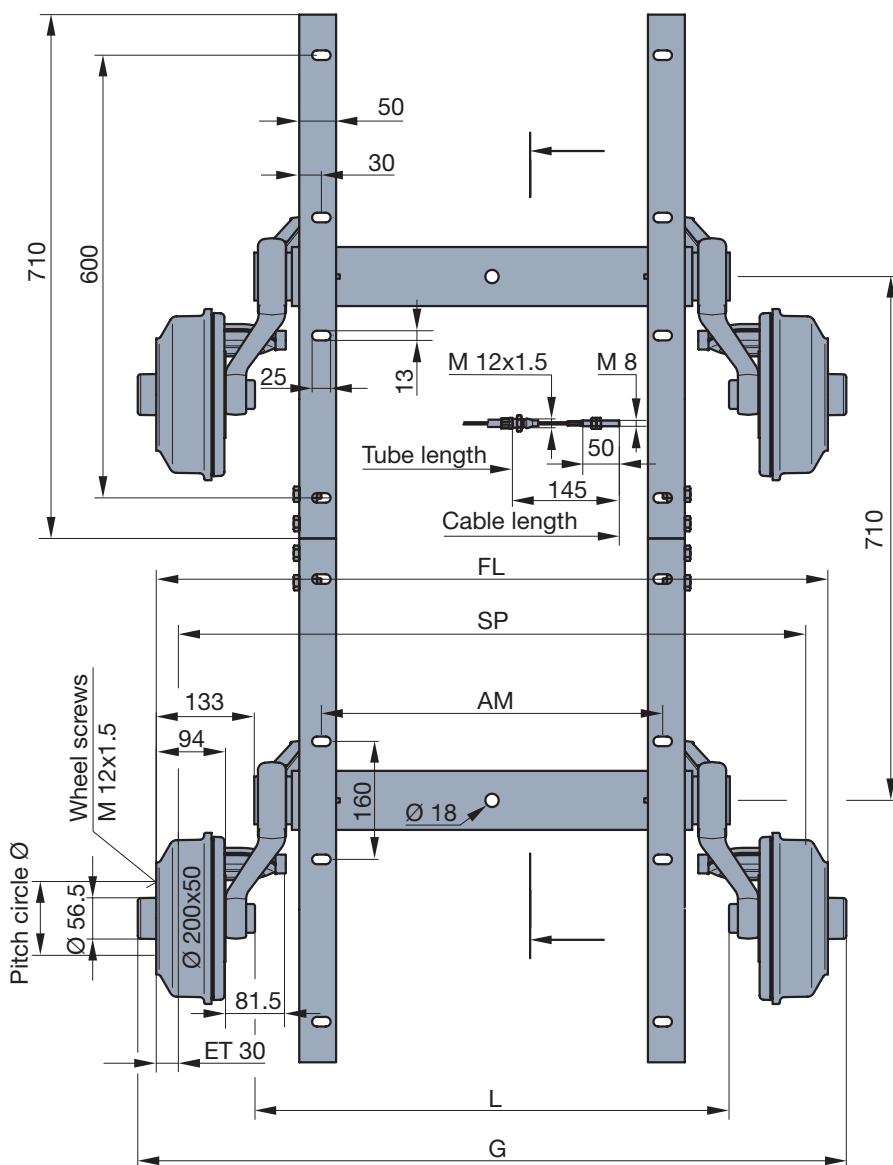
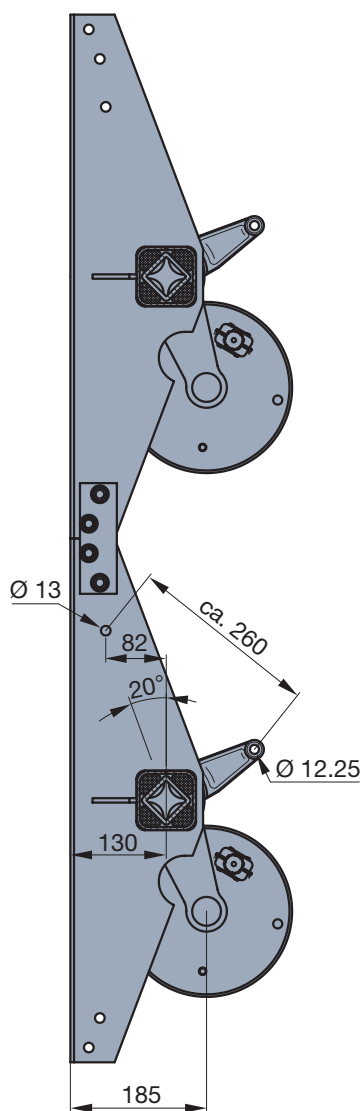
Tyres: 225x75 R 16

Other possible tyre and wheel sizes, see page 140

Special axle supports and drawbar connections on request



2.4 SWING rubber suspension tandem units with composite supports, gross vehicle weight rating 2700 kg, wheel brake S 2005-7 RASK



Axle beam fully hot-dip galvanised: Long-term surface protection • Independent suspension: Optimum compensation for uneven road surfaces • Zero-maintenance suspension: Reduced maintenance costs • Robust axle structure: Suitable for extreme conditions such as when driving off-road or on building sites • Robust, easy-to-maintain wedge-type brakes with automatic reversing operation: Straightforward adjustment from outside the brake, brake cables can be connected subsequently without removing the brake drums • Compact bearings (standard in the automotive industry): Zero-maintenance, long service life, protected against dirt and water, lifetime lubrication with special grease • Incl. wheel shock absorber mounting

Marketed under Order no. acc. to wheel connection			Dimensions [mm]					
CB 2/1354	CB 2/1355	CB 2/1355	FL	SP	AM	L	G	Weight [kg]
4/ø100/60°	5/ø112/R12	5/ø112/60°						
49.25.379.120	49.25.379.140	49.25.379.160	1450	1390	1000	1172	1500	120.0
49.25.379.121	49.25.379.141	49.25.379.161	1500	1440	1050	1222	1550	121.0
49.25.379.122	49.25.379.142	49.25.379.162	1550	1490	1100	1272	1600	122.0
49.25.379.123	49.25.379.143	49.25.379.163	1600	1540	1150	1322	1650	123.0
49.25.379.124	49.25.379.144	49.25.379.164	1650	1590	1200	1372	1700	124.0
49.25.379.125	49.25.379.145	49.25.379.165	1700	1640	1250	1422	1750	125.0
49.25.379.126	49.25.379.146	49.25.379.166	1750	1690	1300	1472	1800	126.0
49.25.379.127	49.25.379.147	49.25.379.167	1800	1740	1350	1522	1850	127.0
49.25.379.128	49.25.379.148	49.25.379.168	1850	1790	1400	1572	1900	128.0
49.25.379.129	49.25.379.149	49.25.379.169	1900	1840	1450	1622	1950	129.0
49.25.379.130	49.25.379.150	49.25.379.170	1950	1890	1500	1672	2000	130.0
49.25.379.131	49.25.379.151	49.25.379.171	2000	1940	1550	1722	2050	131.0
49.25.379.132	49.25.379.152	49.25.379.172	2050	1990	1600	1772	2100	132.0
49.25.379.133	49.25.379.153	49.25.379.173	2100	2040	1650	1822	2150	133.0
49.25.379.134	49.25.379.154	49.25.379.174	2150	2090	1700	1872	2200	134.0
49.25.379.135	49.25.379.155	49.25.379.175	2200	2140	1750	1922	2250	135.0
49.25.379.136	49.25.379.156	49.25.379.176	2250	2190	1800	1972	2300	136.0
49.25.379.137	49.25.379.157	49.25.379.177	2300	2240	1850	2022	2350	137.0
49.25.379.138	49.25.379.158	49.25.379.178	2350	2290	1900	2072	2400	138.0

Brake cables for rear axle incl. tandem compensation, see page 117
Shock absorbers, see page 128

Speed up to 140 km/h

Drawbar connection: Clamping components, see accessories on page 120

Recommended wheel size: 5 1/2 J x 14 H2

Special wheel connections: on request

Tyres: 185x70 R 14

Other possible tyre and wheel sizes, see page 140

Special axle supports and drawbar connections on request