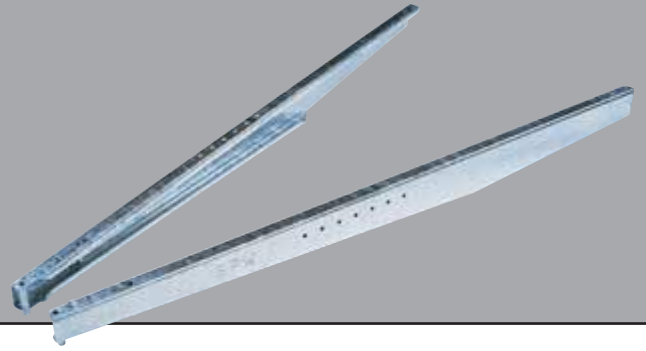
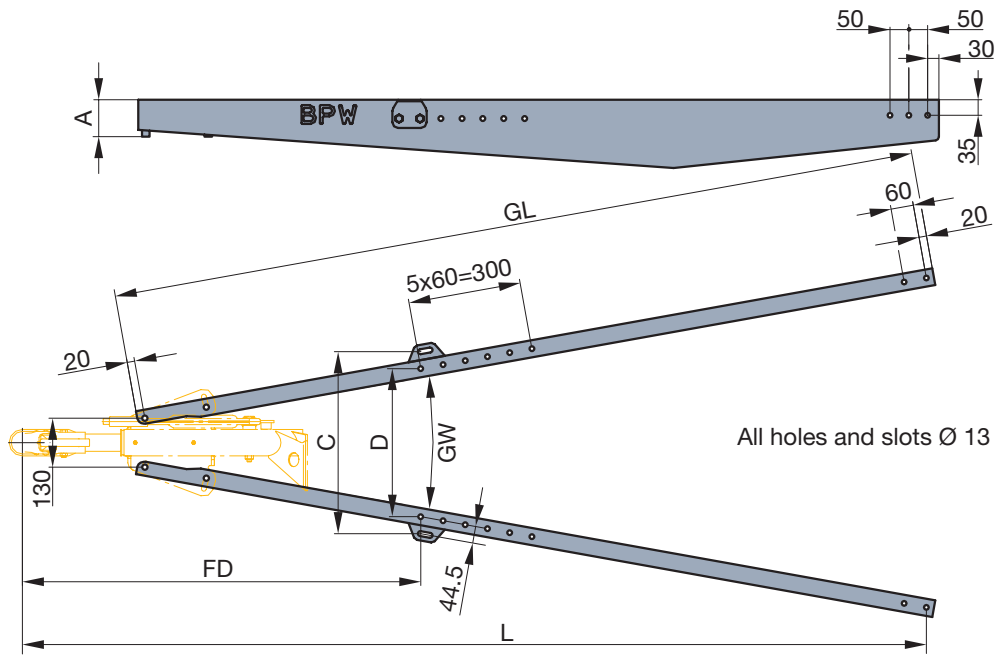


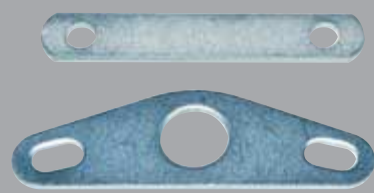
Greater flexibility in the design of vehicle bodywork: That's the result of using BPW drawbars with adjustable supports. Bolted construction instead of welding is just one of the advantages: The corresponding assembly components are included in the package. Hot-dip galvanised for long-lasting surface protection.



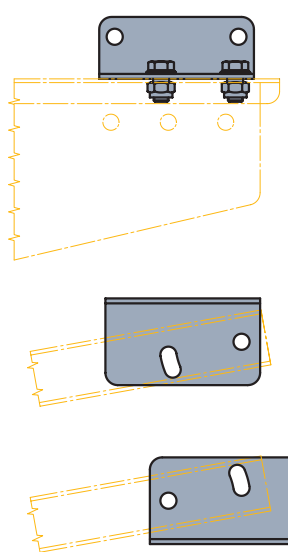
### 1.2 ZEA drawbars, gross vehicle weight rating up to 3500 kg



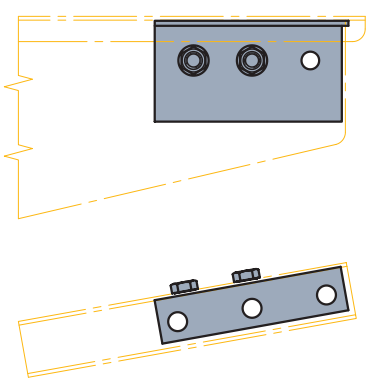
Gross vehicle weight rating [kg]	Marketed under	Order no.	GW	Dimensions [mm]							Permitted drawbar load [kg]	EC test symbol	Weight [kg]
				A	C	D	FD	GL	L				
2000	ZEA 2.0-1	05.447.26.23.1	30°	80	605	516	1045	1800	2025	150	e1*0986*94/20	16.4	
		05.447.26.24.1	30°	80	605	516	1045	2150	2364	150	e1*0986*94/20	20.7	
		05.447.26.25.1	30°	80	772	653	1301	2500	2702	150	e1*0986*94/20	25.0	
2800	ZEA 2.8-1	05.447.26.17.1	30°	98	605	516	1045	1800	2025	150	e1*0891*94/20	20.1	
		05.447.26.18.1	30°	98	605	516	1045	2150	2364	150	e1*0891*94/20	23.4	
		05.447.26.19.1	30°	98	772	653	1301	2500	2702	150	e1*0891*94/20	26.6	
3500	ZEA 3.5-1	05.447.26.20.1	30°	104	605	516	1039	1800	2050	150	e1*0975*94/20	27.2	
		05.447.26.21.1	30°	104	605	516	1039	2150	2388	150	e1*0975*94/20	31.5	
		05.447.26.22.1	30°	104	772	653	1326	2500	2726	150	e1*0975*94/20	38.6	



**1.2 Assembly component kits for ZEA drawbars**

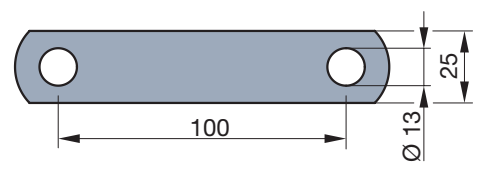


*Vertical screw connection*  
05.803.02.25.0

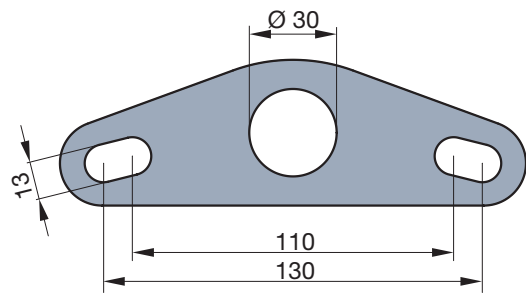


*Horizontal screw connection*  
05.803.02.26.0

**1.2 Drawbar tube shackles for ZEA drawbars for mounting towing attachments (ZAF, ZOF)**



03.232.25.05.0



03.232.25.06.0