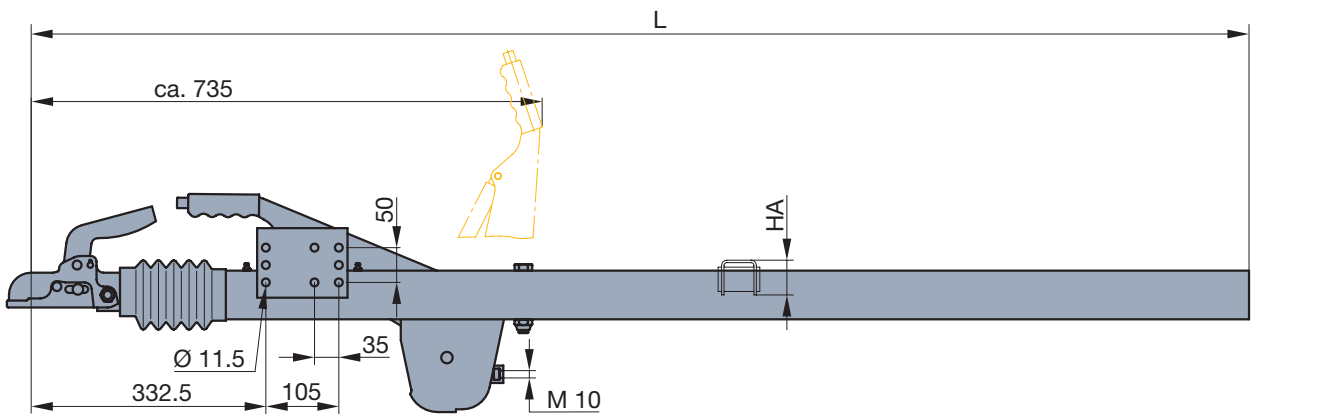
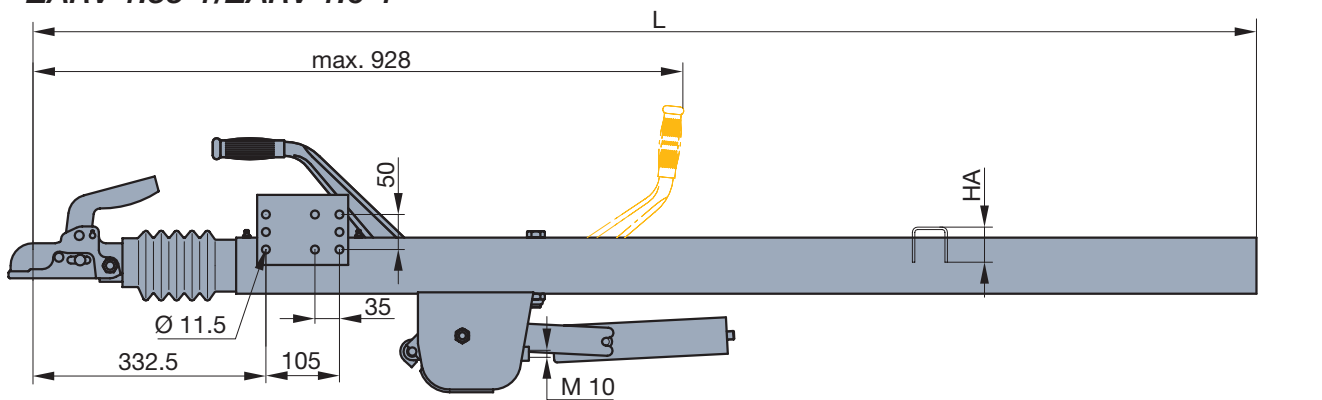


1.4 ZARV drawbars with towing attachment, square type, gross vehicle weight rating up to 2800 kg



ZARV 1.35-1/ZARV 1.6-1



ZARV 2.0-1/ZARV 2.8-1

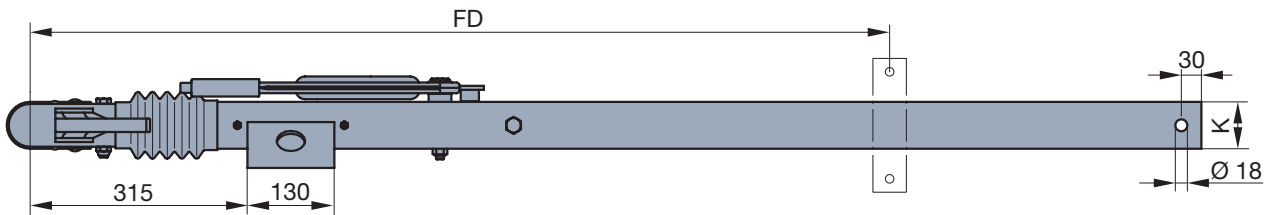
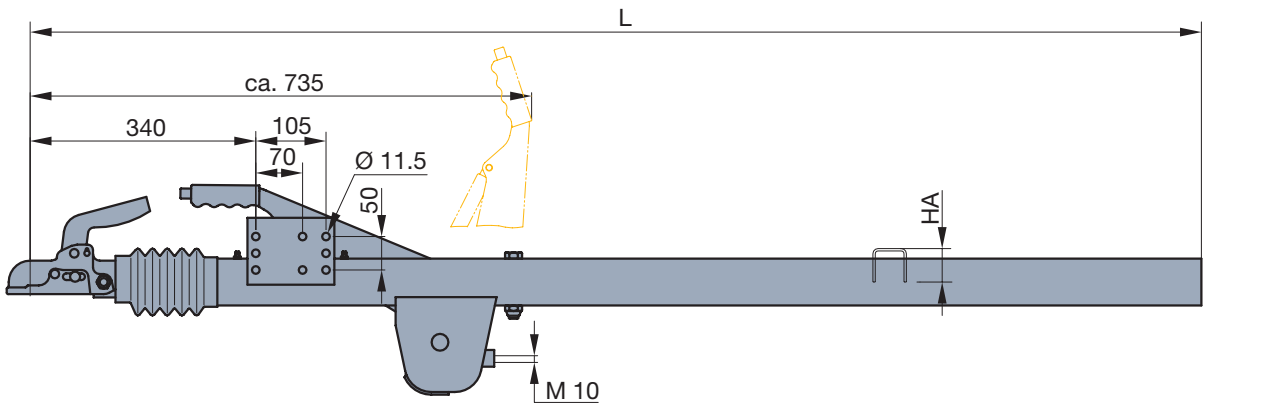
The square profile provides a high level of stability in all applications, giving a secure connection. The hot-dip galvanised surface ensures long-lasting corrosion protection.

Gross vehicle weight rating [kg]	Marketed under	Order no.	K	Dimensions [mm]			Permitted drawbar load [kg]	EC test symbol	Weight [kg]
				HA	L				
700-1350	ZARV 1.35-1	48.25.181.055	sq. 70 x 3.2	50	2100	100	e1*0594*94/20	22.5	
		48.25.181.056	sq. 70 x 3.2	50	2300	100	e1*0594*94/20	16.4	
		48.25.181.057	sq. 70 x 3.2	50	2500	100	e1*0594*94/20	25.2	
		48.25.181.058	sq. 70 x 3.2	50	3000	100	e1*0594*94/20	28.5	
		48.25.181.059	sq. 70 x 3.2	50	3500	100	e1*0594*94/20	31.8	
850-1600	ZARV 1.6-1	48.29.181.015	sq. 70 x 4.5	50	2100	100	e1*0886*94/20	26.9	
		48.29.181.016	sq. 70 x 4.5	50	2300	100	e1*0886*94/20	28.7	
		48.29.181.017	sq. 70 x 4.5	50	2500	100	e1*0886*94/20	30.4	
		48.29.181.018	sq. 70 x 4.5	50	3000	100	e1*0886*94/20	34.9	
		48.29.181.019	sq. 70 x 4.5	50	3500	100	e1*0886*94/20	39.3	
1089-2000	ZARV 2.0-1	48.36.181.055	sq. 80 x 5	55	2100	100	e1*0583*94/20	35.0	
		48.36.181.056	sq. 80 x 5	55	2300	100	e1*0583*94/20	37.3	
		48.36.181.057	sq. 80 x 5	55	2500	100	e1*0583*94/20	39.6	
		48.36.181.058	sq. 80 x 5	55	3000	100	e1*0583*94/20	45.4	
1785-2800	ZARV 2.8-1	48.44.181.031	sq. 100 x 6.3	65	2100	100	e1*0576*94/20	49.6	
		48.44.181.032	sq. 100 x 6.3	65	2300	100	e1*0576*94/20	53.2	
		48.44.181.033	sq. 100 x 6.3	65	2500	100	e1*0576*94/20	56.9	
		48.44.181.034	sq. 100 x 6.3	65	3000	100	e1*0576*94/20	66.0	
		48.44.181.035	sq. 100 x 6.3	65	3500	100	e1*0576*94/20	75.1	

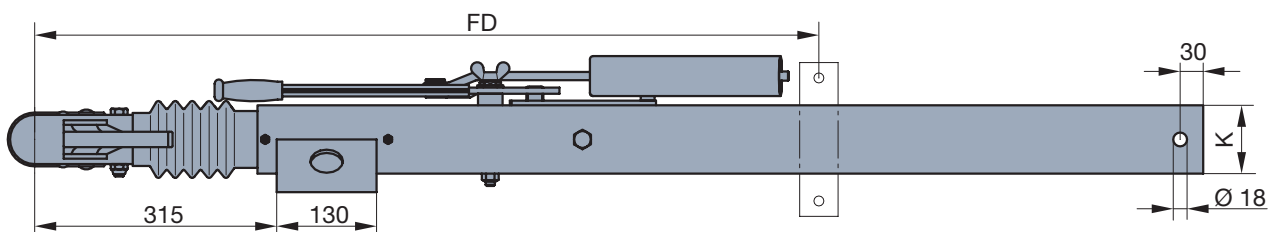
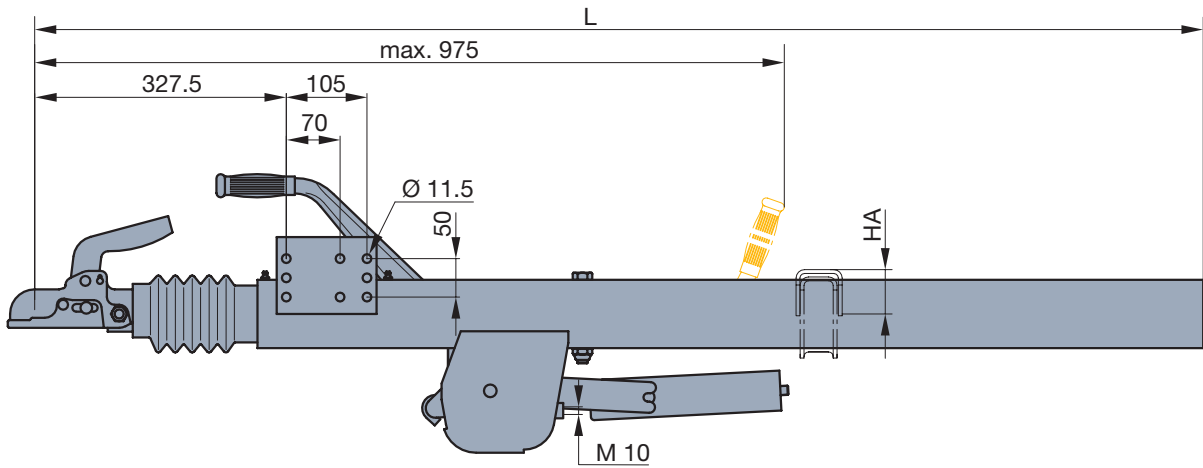
FD see pages 142/143



**1.4 ZAR drawbars with towing attachment, round type, in-line,
gross vehicle weight rating up to 2800 kg**



ZAR 1.35-1



ZAR 2.0-1/ZAR 2.8-1

The classic round profile provides a secure connection between the trailer and the towing vehicle even in the most exacting applications. With a hot-dip galvanised surface for long-lasting corrosion protection.

Gross vehicle weight rating [kg]	Marketed under	Order no.	K	Dimensions [mm]			Permitted drawbar load [kg]	EC test symbol	Weight [kg]
				HA	L				
700-1350	ZAR 1.35-1 A	48.25.181.040	Ø 70 x 4	50	2100	100	e1*0595*94/20	29.8	
		48.25.181.041	Ø 70 x 4	50	2300	100	e1*0595*94/20	31.1	
		48.25.181.042	Ø 70 x 4	50	2500	100	e1*0595*94/20	32.4	
		48.25.181.043	Ø 70 x 4	50	3000	100	e1*0595*94/20	35.7	
		48.25.181.044	Ø 70 x 4	50	3500	100	e1*0595*94/20	38.9	
1089-2000	ZAR 2.0-1 A	48.36.181.040	Ø 88.9 x 6.3	58	2100	100	e1*0582*94/20	40.0	
		48.36.181.041	Ø 88.9 x 6.3	58	2300	100	e1*0582*94/20	42.6	
		48.36.181.042	Ø 88.9 x 6.3	58	2500	100	e1*0582*94/20	45.1	
		48.36.181.043	Ø 88.9 x 6.3	58	3000	100	e1*0582*94/20	51.6	
		48.36.181.044	Ø 88.9 x 6.3	58	3500	100	e1*0582*94/20	58.0	
1785-2800	ZAR 2.8-1	48.44.181.020	Ø 88.9 x 8.8	58	2100	150	e1*0574*94/20	48.2	
		48.44.181.021	Ø 88.9 x 8.8	58	2300	150	e1*0574*94/20	51.7	
		48.44.181.022	Ø 88.9 x 8.8	58	2500	150	e1*0574*94/20	55.2	
		48.44.181.023	Ø 88.9 x 8.8	58	3000	150	e1*0574*94/20	63.9	
		48.44.181.024	Ø 88.9 x 8.8	58	3500	150	e1*0574*94/20	72.6	

FD see pages 142/143