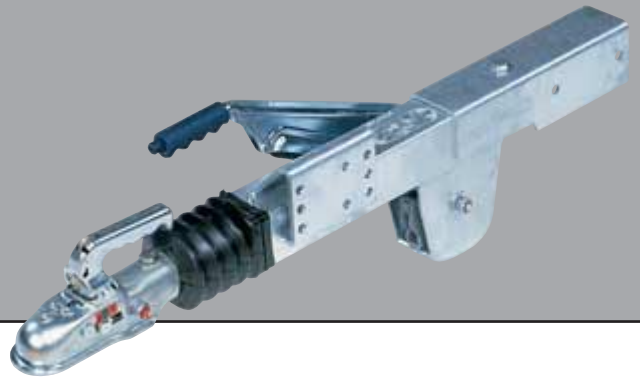
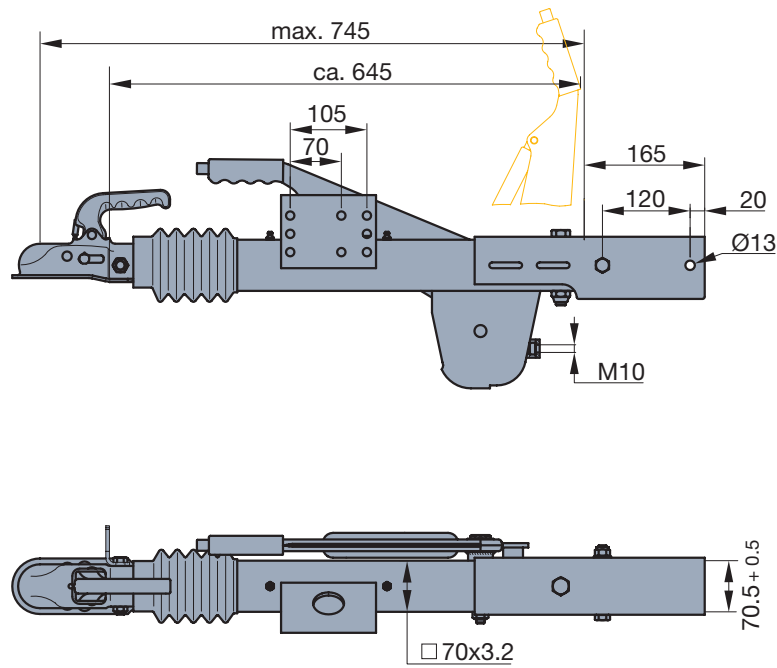


Greater flexibility thanks to direct mounting to the trailer subframe. This permits independent frame designs and allows for greater freedom of vehicle design. Also, the hot-dip galvanised surface means that corrosion is prevented.



1.4 ZAAQ connection towing attachments, gross vehicle weight rating up to 1600 kg



Gross vehicle weight rating [kg]	Marketed under	Order no.	Can be connected to sq. tube [mm]	Permitted drawbar load [kg]	EC test symbol	Weight [kg]
700-1350	ZAAQ 1.6-1	48.25.181.067	70	100	e1*0720*94/20	16.4
850-1600	ZAAQ 1.6-1	48.29.181.030	70	100	e1*0720*94/20	16.4