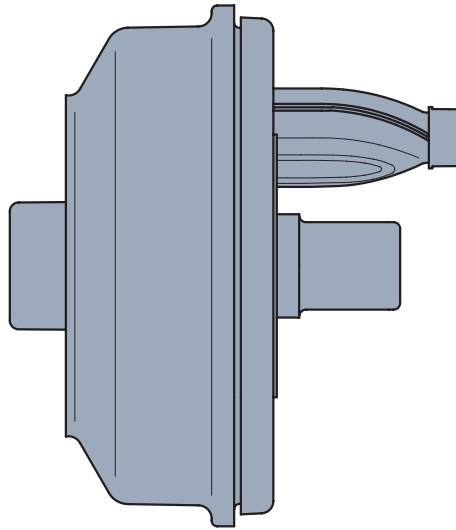




BPW axle stubs and half axles give vehicle manufacturers the highest levels of flexibility in selecting the required support clearance.

2.11 Axle stubs



2.12 RONDO torsion bar axles, braked for 8" tyres

