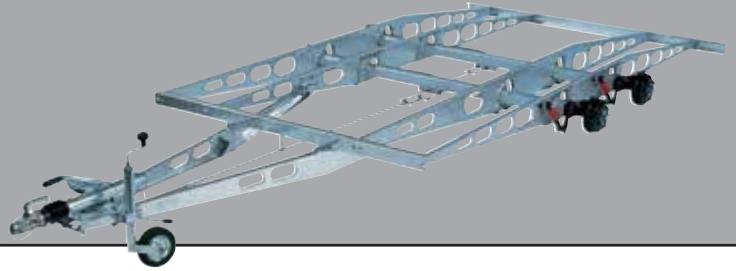
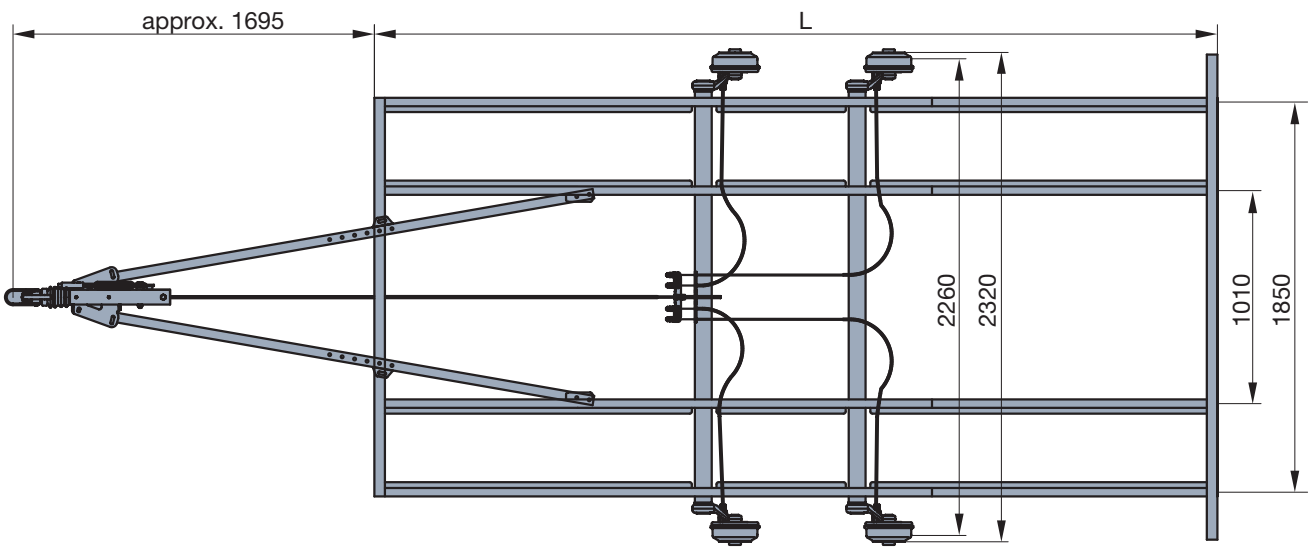
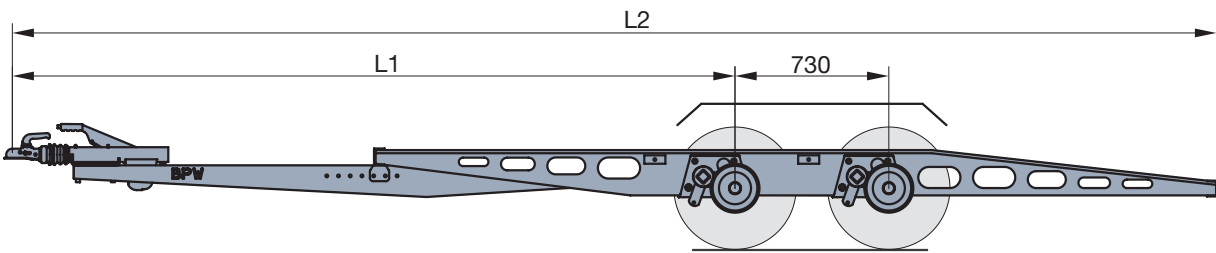
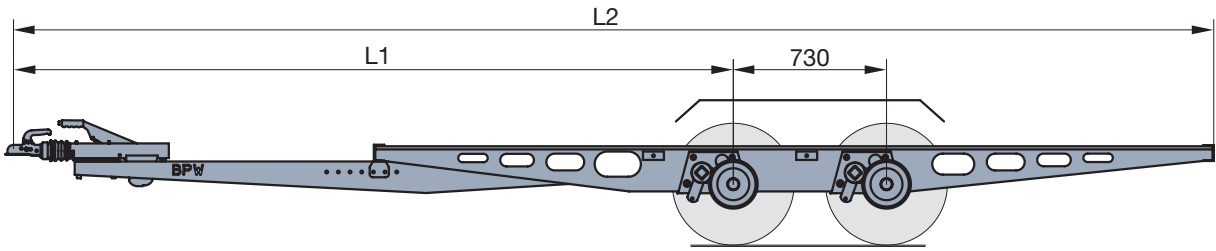


Fully equipped as standard, these chassis allow the vehicle manufacturer to concentrate exclusively on the bodywork. Suitable for a wide range of bodies, fully equipped with chassis, axles and overrun hitch.



2.5 Universal UFT/car transporter ATT tandem chassis



System solution with fully hot-dip galvanised axle beams: Long-term surface protection • Independent suspension: Optimum compensation for uneven road surfaces • Zero-maintenance suspension: Reduced maintenance costs • Robust, easy-to-maintain wedge-type brakes with automatic reversing operation: Straightforward adjustment from outside the brake, brake cables can be connected subsequently without removing the brake drums • Compact bearings (standard in the automotive industry): Zero-maintenance, long service life, protected against dirt and water, lifetime lubrication with special grease • Incl. wheel shock absorber mounting

Type:	UFT 401	UFT 402	UFT 501	UFT 502
Permitted GA [kg]	2000	2700	2000	2700
L [mm]	4000	4000	5000	5000
L1 [mm]	3415	3415	3915	3915
L2 [mm]	5695	5695	6695	6695
Towing attachment	ZAF 2.0-1	ZAF 2.8-1	ZAF 2.0-1	ZAF 2.8-1
Axle	CB 2/1055	CB 2/1355	CB 2/1055	CB 2/1355
Wheel brake	S 2005-7 RASK	S 2005-7 RASK	S 2005-7 RASK	S 2005-7 RASK
Wheel connection	LK 112x5	LK 112x5	LK 112x5	LK 112x5
Wheel screws	M 12 x 1.5 ball R12	M 12 x 1.5 ball R12	M 12 x 1.5 ball R12	M 12 x 1.5 ball R12
Wheel (recommendation)	5 1/2 J x 14 H2	5 1/2 J x 14 H2	5 1/2 J x 14 H2	5 1/2 J x 14 H2
Tyre (recommendation)	175 R 14	175 R 14	175 R 14	175 R 14
Weight approx. [kg]	295	305	320	330
BPW order no.	44.21.379.194	44.25.379.378	44.21.379.196	44.25.379.380

Shock absorbers, see page 128

Type:	ATT 401	ATT 402	ATT 501	ATT 502
Permitted GA [kg]	2000	2700	2000	2700
L [mm]	4000	4000	5000	5000
L1 [mm]	3415	3415	3915	3915
L2 [mm]	5695	5695	6695	6695
Towing attachment	ZAF 2.0-1	ZAF 2.8-1	ZAF 2.0-1	ZAF 2.8-1
Axle	CB 2/1055	CB 2/1355	CB 2/1055	CB 2/1355
Wheel brake	S 2005-7 RASK	S 2005-7 RASK	S 2005-7 RASK	S 2005-7 RASK
Wheel connection	LK 112x5	LK 112x5	LK 112x5	LK 112x5
Wheel screws	M 12 x 1.5 ball R12	M 12 x 1.5 ball R12	M 12 x 1.5 ball R12	M 12 x 1.5 ball R12
Wheel (recommendation)	5 1/2 J x 14 H2	5 1/2 J x 14 H2	5 1/2 J x 14 H2	5 1/2 J x 14 H2
Tyre (recommendation)	175 R 14	175 R 14	175 R 14	175 R 14
Weight approx. [kg]	295	305	320	330
BPW order no.	44.21.379.195	44.25.379.379	44.21.379.197	44.25.379.381

Shock absorbers, see page 128