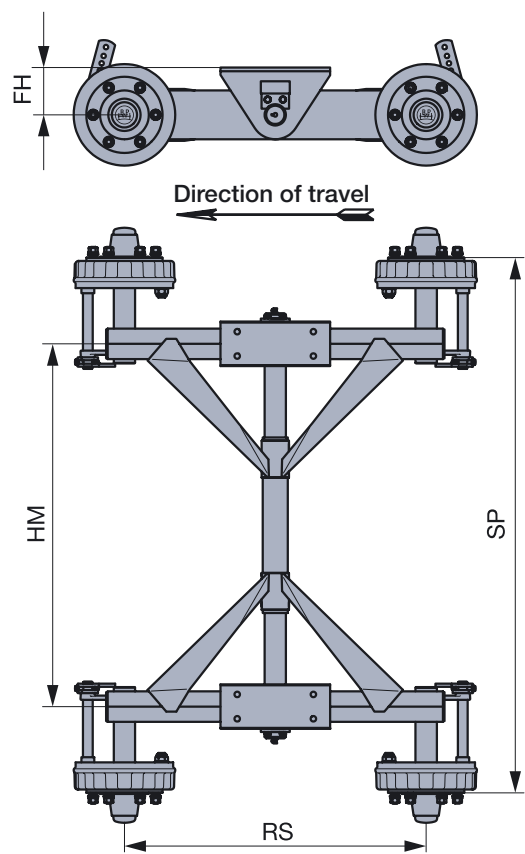


BPW tandem axle suspension GSSTP



Name	BPW order no.	Suspension load kg	Speed (km/h)	Track SP mm	Beam centre HM mm	Wheelbase RS mm	Wheel brake type	Ride height FH mm	
GSSTP	2/5506	56.63.06.0014	8000	25	1750	1190	990	N 3006-3	155
GSSTP	2/7008	56.67.06.0003	12000	40	1900	1100	1150	N 3108-3	250
GSSTP	2/8008-1	56.70.06.0017	14000	40	1950	1100	1350	N 4008-3	280
GSSTP	2/11010-1	56.88.06.0013	16000	40	2000	1050	1500	FL 4112	280

Other dimensions available on request.

Delivered fully assembled.

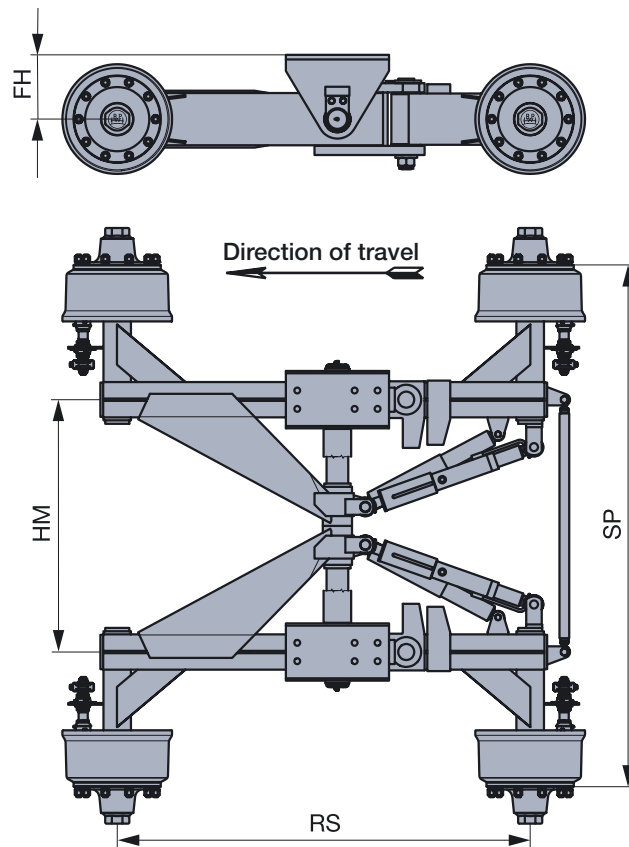
Special type: Air cylinder bracket for diaphragm, piston or hydraulic cylinders.

Sample applications: Transport trailers, pick-up trailers, bailers, bowsers, etc.



We recommend unsprung pendulum suspensions for applications involving speeds of up to 40 km/h. Their self-levelling facility ensures high directional stability in any situation, whilst beam steering makes for optimum self-steering characteristics. The steering can be hydraulically locked for safe reversing.

BPW tandem axle suspension GSSTPLS



Name	BPW order no.	Suspension load kg	Speed (km/h)	Track SP mm	Beam centre HM mm	Wheelbase RS mm	Wheel brake type	Ride height FH mm	
GSSTPLS	2/8008-1	56.70.06.0018	14000	40	1950	1100	1350	N 4008-3	280
GSSTPLS	2/11010-1	56.88.06.0014	18000	40	2150	1100	1550	FL 4112	280
GSSTPLS	2/12010	56.72.06.0001	22000	40	2250	1100	1800	FL 4118	280

Other dimensions available on request.

Delivered fully assembled.

Special type: Air cylinder bracket for diaphragm, piston or hydraulic cylinders.

Sample applications: Transport trailers, pick-up trailers, bailers, bowsers, etc.