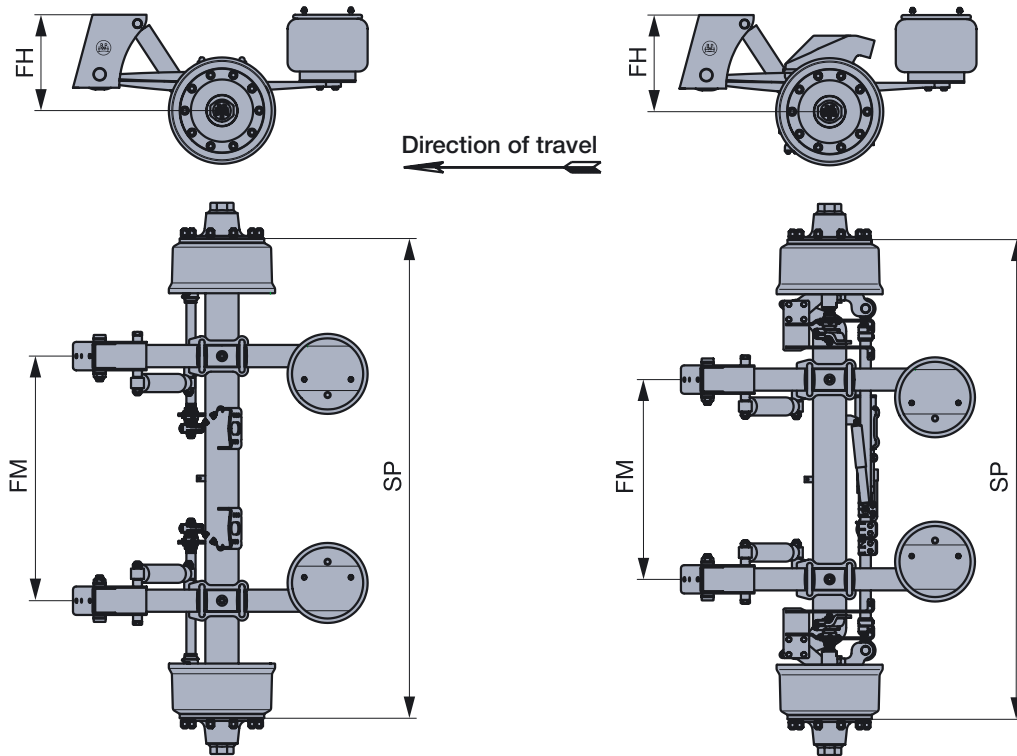


BPW air-sprung axle GSSLO



Name	BPW order no.	Suspension load kg	Speed (km/h)	Track SP mm	Spring centre FM mm	Wheel brake type	Ride height FH mm	
GSSLO	11010-1	56.88.01.0030	9000	60	2050	1000	FL 4112	420-460
GSSLOLA	11010-1	56.88.01.0107	9000	60	2050	900	FL 4112	420-460
GSSLO	12010	56.72.01.0092	11000	60	2150	1060	FL 4118	490-540
GSSLOLL	12010	56.72.01.0093	11000	60	2150	900	FL 4118	490-540

Other dimensions available on request, supplied fully assembled.

Options: Axle lift, installation parts, catch straps

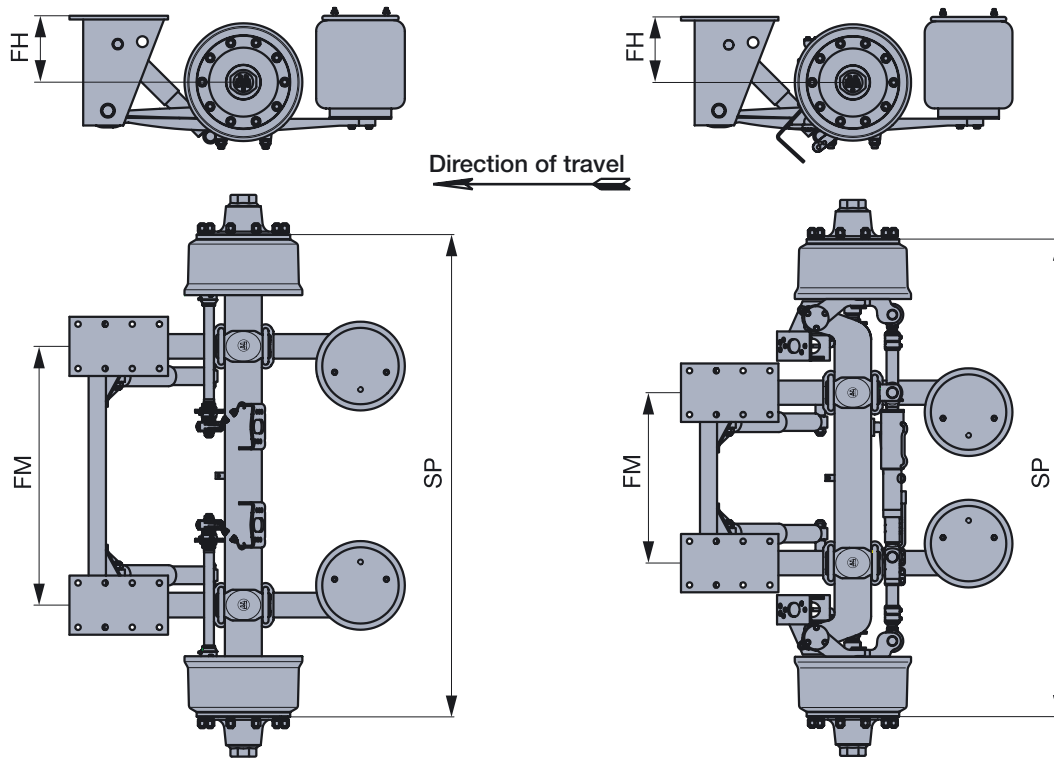
Special type: Bolt-on frame attachment, prepared for tyre pressure control system, 65 km/h type in conjunction with automatic slack adjuster, ABS, complete with frame and compressed air brake system.

Sample applications: Sprayers, tippers, bailers, pick-up trailers, bowsers



Air suspensions offer high directional stability with an optimum of travel smoothness and particularly large spring deflections. Ride height can be lowered and remains consistent under varying load conditions whilst shock absorbers prevent vehicle vibration. The combination of air bags ensures optimal roadholding thanks to even ground pressure exerted by the tyres, better braking response and reduced tyre wear. The optional axle lift facility makes for even greater operational efficiency.

BPW air-sprung axle GSSLU



Name	BPW order no.	Suspension load kg	Speed (km/h)	Track SP mm	Spring centre FM mm	Wheel brake type	Ride height FH mm	
GSSLU	11010-1	56.88.01.0031	9000	60	2050	1000	FL 4112	225-265
GSSLULA	11010-1	56.88.01.0108	9000	60	2050	900	FL 4112	225-265
GSSLU	12010	56.72.01.0094	11000	60	2150	1100	FL 4118	270-335
GSHSLULL	12010	56.72.01.0095	11000	60	2150	900	FL 4118	270-335

Other dimensions available on request, supplied fully assembled.

Options: Axle lift, installation parts, catch straps

Special type: Bolt-on frame attachment, prepared for tyre pressure control system, 65 km/h type in conjunction with automatic slack adjuster, ABS, complete with frame and compressed air brake system.

Sample applications: Sprayers, tippers, bailers, pick-up trailers, bowsers