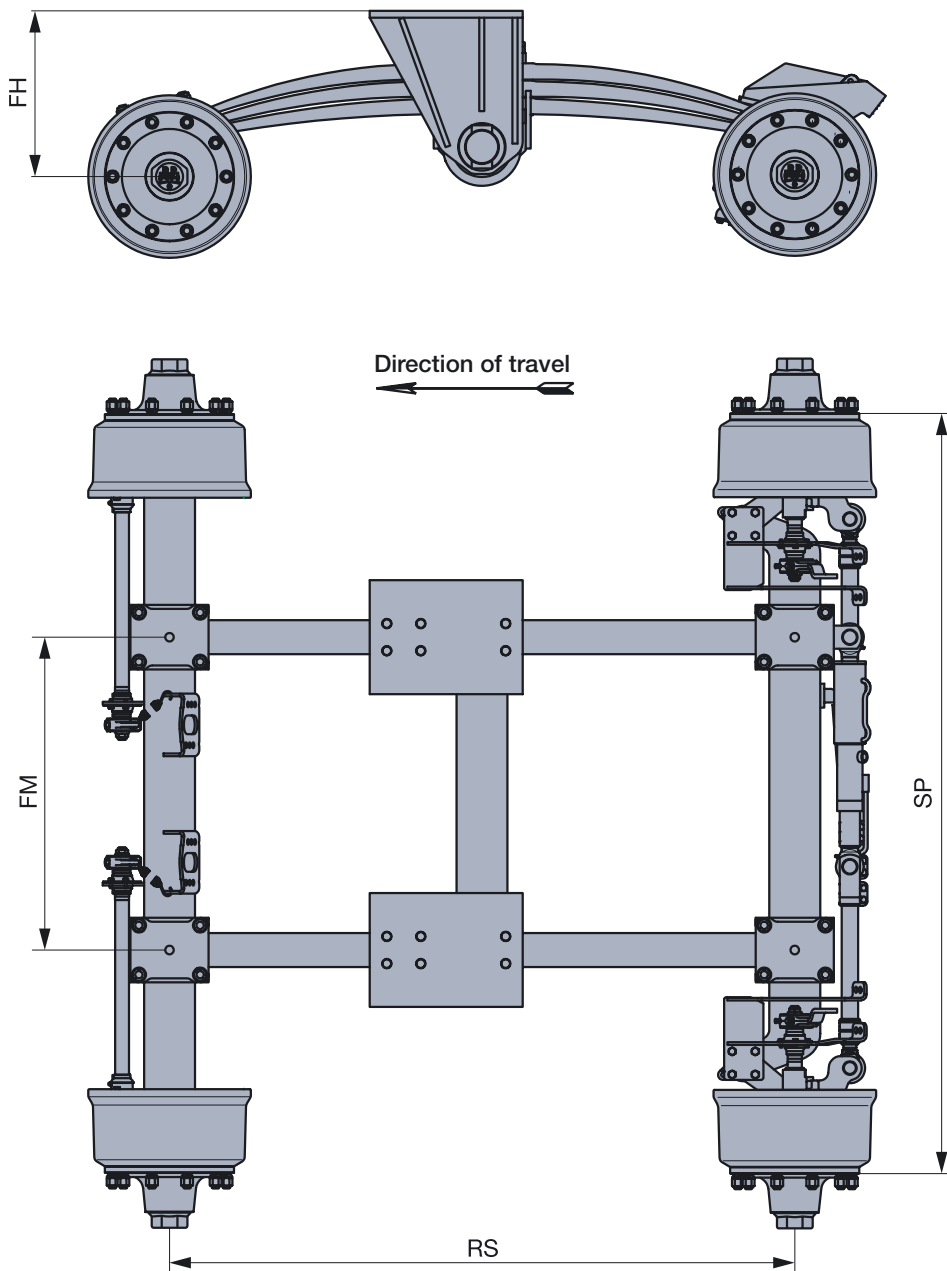


BPW tandem axle suspension GSGW; GSBW





These parabolically sprung pendulum suspensions are fitted with steel-rubber or bronze bushes, and ensure a particularly high degree of directional stability and equalization. As well as the non-steered version, BPW also offers this suspension in steered form with hydraulic locking or power steering. Various bracket heights and offset centre points of the axle and bearing block pivot make for improved handling on farmland.

Name	BPW order no.	Suspension load kg	Speed (km/h)	Track Sp mm	Spring centre FM mm	Wheelbase RS mm	Wheel brake type	Ride height FH mm	
GSGW	2/5506	56.63.05.0003	8000	40	1850	900	991	N 3006-3	275
GSGW	2/7008	56.67.05.0010	12000	40	1950	1050	1200	N 3108-3	347
GSGWLA	2/7008	56.67.05.0007	11500	40	1950	980	1200	N 3108-3	347
GSGW	2/8008-1	56.70.05.0015	14000	40	1950	850	1360 (1600)	N 4008-3	383
GSGWLA	2/8008-1	56.70.05.0104	14000	40	1950	850	1600 (1360)	N 4008-3	444
GSGW	2/11010-1	56.88.05.0029	18000	60	2050	1030	1600 (1800)	FL 4112	450
GSGWLA	2/11010-1	56.88.05.0110	18000	60	2150	930	1800 (1600)	FL 4112	505
GSGWLA	2/11010-1	56.88.05.0114	20000	40	2050	930	1600 (1900)	FL 4112	450
GSBW	2/12010	56.72.05.0030	22000	60	1950	930	1600 (1900)	FL 4118	477
GSBWLL	2/12010	56.72.05.0033	22000	60	2050	830	1900 (1600)	FL 4118	487

Other dimensions available on request.

Delivered fully assembled.

Special type: Air cylinder bracket for diaphragm, piston or hydraulic cylinders, complete with frame and brake system, available with FL 4112 and FL 4118 also as 65 km/h types in conjunction with automatic slack adjuster, prepared for ABS.

Sample applications: Bowsers, pick-up trailers, bailers, spreaders