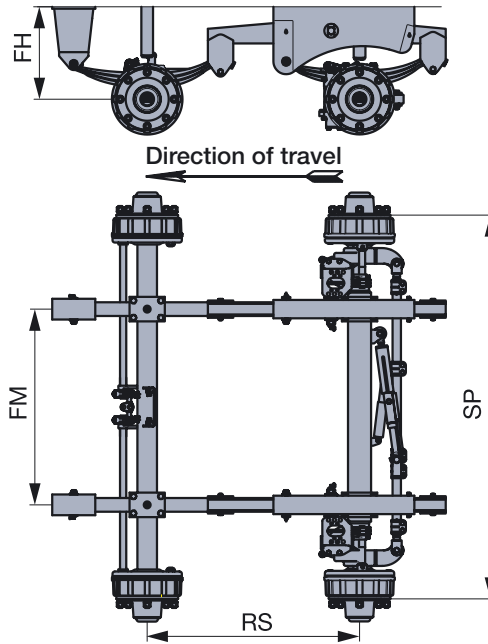


**BPW spring suspension GSVBA**



Name	BPW order no.	Suspension load kg	Speed (km/h)	Track SP mm	Spring centre FM mm	Wheelbase RS mm	Wheel brake type	Ride height FH mm	
GSVBA	2/7008	56.67.04.0024	12000	40	1950	1050	1025	N 3108-3	442
GSVBALA	2/7008	56.67.04.0101	11000	40	1950	950	1025	N 3108-3	455
GSVBA	2/8008-1	56.70.04.0007	14000	40	1950	1100	1025	N 4008-3	472
GSVBALA	2/8008-1	56.70.04.0102	14000	40	1950	1000	1025	N 4008-3	472
GSVBA	2/11010-1	56.88.04.0008	18000	40	1950	1000	1380	FL 4112	600
GSVBALA	2/11010-1	56.88.04.0111	18000	40	2000	950	1380	FL 4112	600

Other dimensions available on request.

Supplied in modules (axle, springs, support).

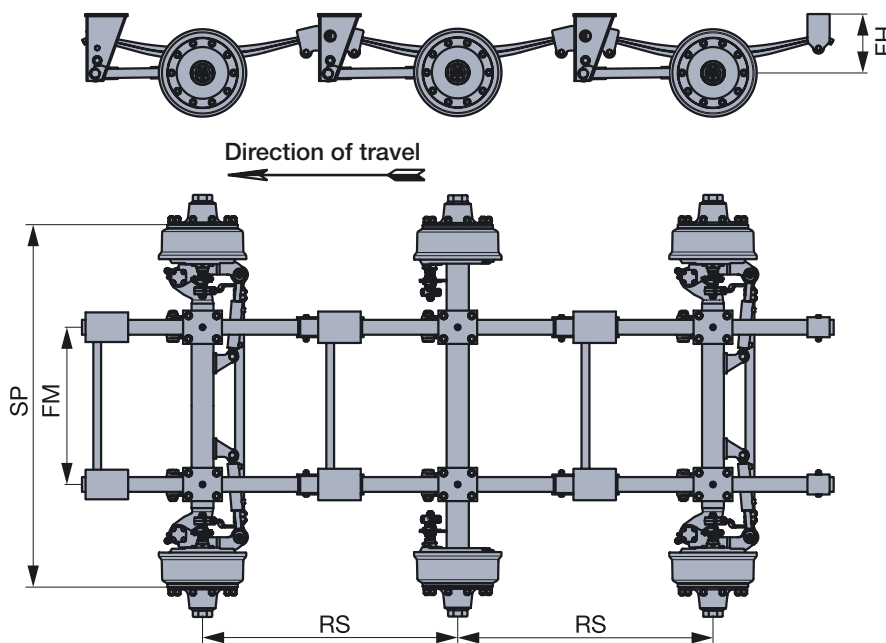
Special type: Air cylinder bracket for diaphragm, piston or hydraulic cylinders, complete with frame and brake system, available with FL 4112 also as 65 km/h type in conjunction with automatic slack adjuster, prepared for ABS.

Sample applications: Spreaders, tippers, bailers



The connecting rod gets the most out of a BPW twist beam suspension. The advantages it offers become clear in every situation, thanks to added axle load compensation, evenly distributed ground pressure and optimized drivability and braking response.

## BPW spring suspension GSVB-V



Name	BPW order no.	Suspension load kg	Speed (km/h)	Track SP mm	Spring centre FM mm	Wheelbase RS mm	Wheel brake type	Ride height FH mm
GSVB	2/7008 V	56.67.04.0025	12000	40	1800	1100	N 3108-3	300
GSVB	2/8008-1 V	56.70.04.0008	14000	40	1900	1100	N 4008-3	320
GSVBLA	2/8008-1 V	56.70.04.0103	14000	40	1950	1100	N 4008-3	320
GSVB	2/11010-1 V	56.88.04.0009	18000	40	2000	1000	FL 4112	316
GSVBLA	2/11010-1 V	56.88.04.0112	18000	40	2000	950	FL 4112	342
GSVBLA	3/11010-1 V	56.88.04.0113	27000	40	2000	950	FL 4112	342
GSVB	2/12010 V	56.72.04.0005	22000	60	2000	1100	FL 4118	368
GSVBLL	2/12010 V	56.72.04.0101	22000	60	2050	850	FL 4118	368
GSVBLL	3/12010 V	56.72.04.0006	33000	60	2050	850	FL 4118	368

Other dimensions available on request.

Supplied in modules (axle, springs, support).

Special type: Air cylinder bracket for diaphragm, piston or hydraulic cylinders, complete with frame and brake system, available with FL 4112 and FL 4118 also as 65 km/h types in conjunction with automatic slack adjuster, prepared for ABS.

Sample applications: Transport trailers, bowsers, muck spreaders, etc.