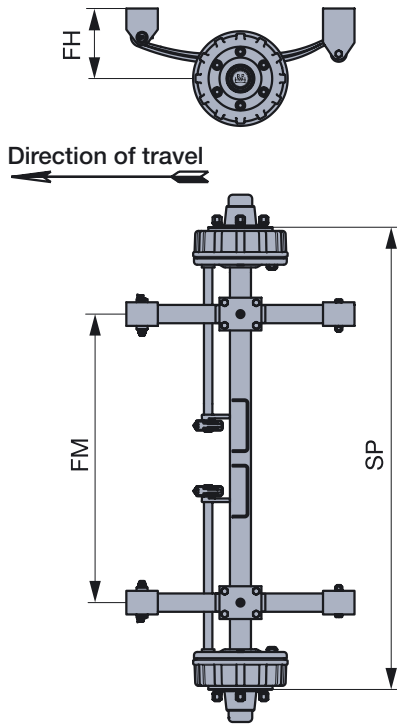


**BPW spring suspension GSVB**



Name		BPW order no.	Suspension load kg	Speed (km/h)	Track SP mm	Spring centre FM mm	Wheel brake type	Ride height FH mm
GSVB	7008	56.67.03.0002	6000	40	1700	820	N 3108-3	345
GSVB	8008-1	56.70.03.0001	7000	40	1800	1100	N 4008-3	290
GSVBLA	11010-1	56.88.03.0001	9000	40	2000	1000	FL 4112	333

Other dimensions available on request.

Supplied in modules (axle, springs, support).

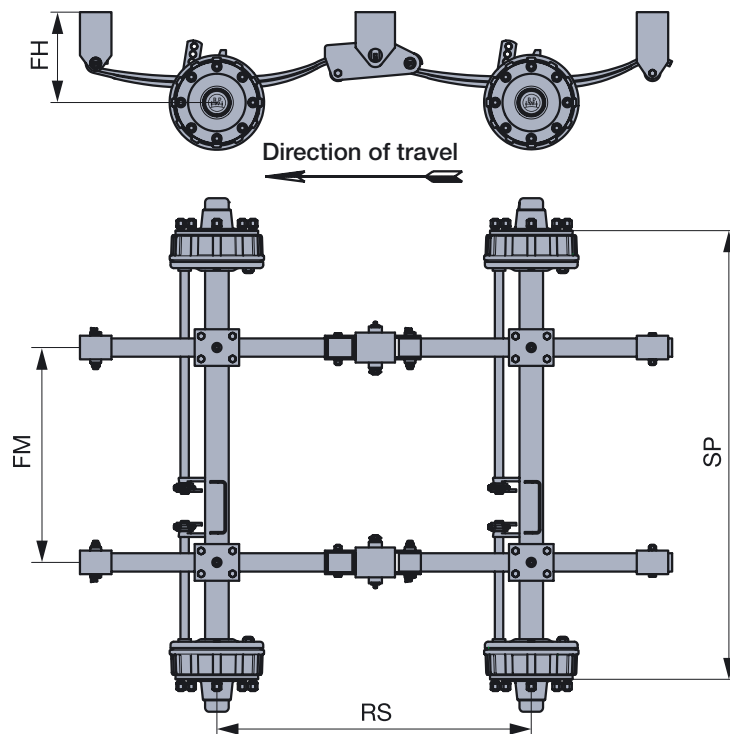
Special type: Air cylinder bracket for diaphragm, piston or hydraulic cylinders, complete with frame and brake system, available with FL 4112 also as 65 km/h type in conjunction with automatic slack adjuster, prepared for ABS.

Sample applications: Transport trailers, bailers



Spring suspensions are particularly suited to vehicles requiring a high level of anti-roll stability on the road. The trailing arms guarantee secure wheel tracking. The spring ends are led into guide shoes and onto the equalizing beams and hanger brackets. Equalization of up to 60 mm and optimal braking force equalization ensure additionally secure travel.

## BPW spring suspension GSVB



Name	BPW order no.	Suspension load kg	Speed (km/h)	Track SP mm	Spring centre FM mm	Wheelbase RS mm	Wheel brake type	Ride height FH mm	
GSVB	2/7008	56.67.04.0023	10000	40	1700	820	1200	N 3108-3	345
GSVB	2/8008-1	56.70.04.0006	14000	40	1800	1100	1390	N 4008-3	290
GSVBLA	2/8008-1	56.70.04.0101	14000	40	1950	1100	1390	N 4008-3	290
GSVB	2/11010-1	56.88.04.0007	18000	40	2000	1000	1390	FL 4112	333
GSVBLA	2/11010-1	56.88.04.0110	18000	40	2000	900	1390	FL 4112	333

Other dimensions available on request.

Supplied in modules (axle, springs, support).

Special type: Air cylinder bracket for diaphragm, piston or hydraulic cylinders, complete with frame and brake system, available with FL 4112 also as 65 km/h type in conjunction with automatic slack adjuster, prepared for ABS.

Sample applications: Transport trailers, bailers, pick-up trailers