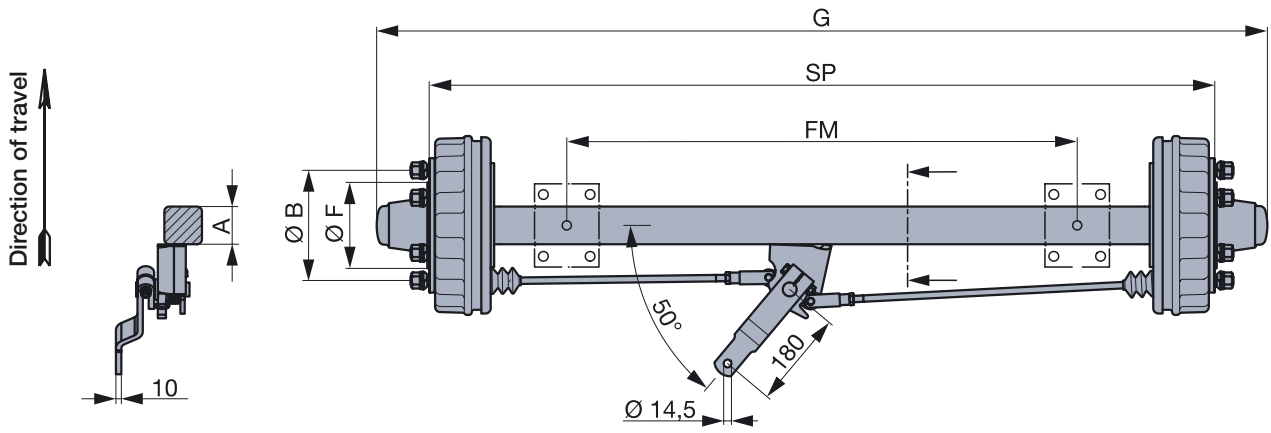




BPW overrun braked axles with wedge-type brake 300x60



Axle type with wheel brake S 3006-7 RAZG	Track SP mm	Spring centre FM mm	Overall length G mm	Axle cross section A mm	Wheel bearing designation outer/inner	Number of wheel studs	Wheel connection				
							ø F mm	ø B mm	Thread	BPW order no. with central brake lever	kg
GS 4006	1500	1000	1708	60	32207-30210	6	160	205	M 18x1,5	55.56.381.000	107
GS 5506	1700	1200	1908	70	32207-32013x	6	160	205	M 18x1,5	55.63.381.000	127

Standard offset ET 0 mm

Types without spring pads. Brake offset to left or right possible.

Other dimensions available on request.

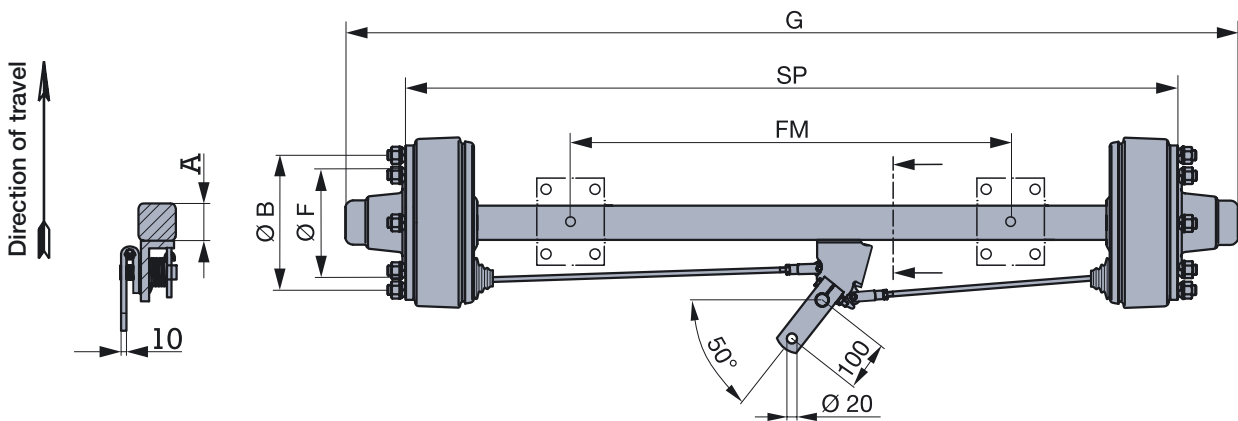
Note: These axles can only be used in overrun braked trailers in conjunction with BPW overrun hitches.

Special equipment: • Spring pads



BPW overrun brakes keep you on the safe side. They meet the latest statutory braking requirements and require no pneumatics or hydraulics thanks to a robust mechanical linkage. What's more, the brake rods are protected against any external influences. Where twin axle trailers are concerned, you can use a combination of overrun hitch and compressed air.

BPW overrun braked axles with wedge-type brake 300x80



Axle type with wheel brake S 3008 RAZG	Track SP mm	Spring centre FM mm	Overall length G mm	Axle cross section A mm	Wheel bearing designation outer/inner	Number of wheel studs	Wheel connection				
							ø F mm	ø B mm	Thread	BPW order no. with central brake lever	kg
GS 4006	1500	1000	1696	60	32207-30210	6	160	205	M 18x1,5	55.56.356.000	134
GS 5506	1700	1200	1910	70	32207-32013x	6	160	205	M 18x1,5	55.63.356.000	156
GS 5508	1700	1200	1910	70	32207-32013x	8	220	275	M 20x1,5	55.63.356.003	156
GS 7008	1700	1100	1960	80	30210-32014x	8	220	275	M 20x1,5	55.67.356.003	188
GS 8008-1	1700	1100	1942	90	32213-32215	8	220	275	M 20x1,5	55.70.356.000	222

Standard offset ET 0 mm

Types without spring pads. Brake offset to left or right possible.

Other dimensions available on request.

Note: These axles can only be used in overrun braked trailers in conjunction with BPW overrun hitches.

Special equipment: • Spring pads