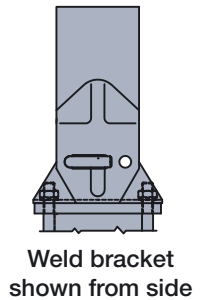
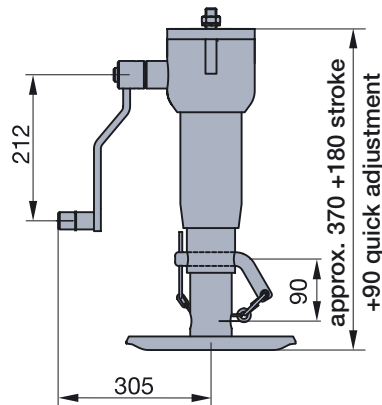
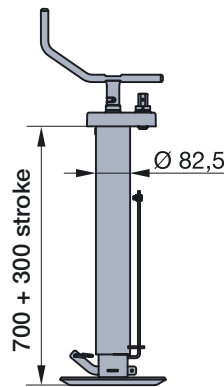
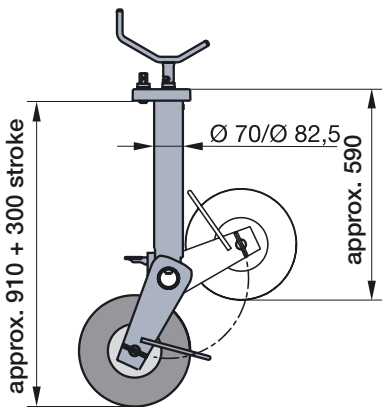




BPW jockey wheels and outriggers are available using either square or round tube designs. The height adjusting mechanism can be fitted with either spur or bevel gearing. We match the wheels and outriggers to the load to which they will be subjected, and brackets for mounting them to the vehicle are also available.

## BPW – accessories – jockey wheels – outriggers



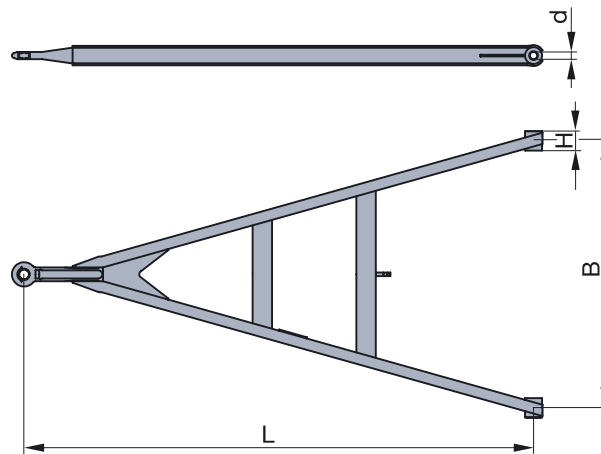
Basic length + spindle stroke	Wheel size	Maximum load kg	Drive	Quick adjustment	BPW order no.		
					with holder	without holder	
<b>Steel jockey wheels (all jockey wheels are available as folding wheels)</b>							
910+300	320x80	1500	normal	-	-	05.375.80.17.0	
910+300	320x100	2000	normal	-	-	05.375.80.04.0	
910+300	320x100	2000	angle	-	-	05.375.80.05.0	
910+300	320x100	2000	spur gear drive	-	-	05.375.80.06.0	
<b>Outriggers – Lightweight type (optionally with additional telescopic inner tube)</b>							
700+300	-	2000	normal	without	-	05.375.81.01.0	
700+300	-	2000	angle	without	-	05.375.81.02.0	
700+300	-	2000	spur gear drive	without	-	05.375.81.03.0	
700+300	-	2000	normal	1x250	-	05.375.81.04.0	
700+300	-	2000	angle	1x250	-	05.375.81.05.0	
700+300	-	2000	spur gear drive	1x250	-	05.375.81.06.0	
<b>Outriggers – Heavy type (optionally with additional telescopic inner tube)</b>							
370+180	-	3000	crank gear drive	without	05.375.81.07.0	05.375.81.44.0	
370+180	-	3000	crank gear drive	1x90	05.375.81.08.0	05.375.81.45.0	
370+180	-	5000	crank gear drive	without	05.375.81.09.0	05.375.81.46.0	
370+180	-	5000	crank gear drive	1x90	05.375.81.10.0	05.375.81.14.0	

Weld brackets are available for all jockey wheels and outriggers. Special types of jockey wheel and outrigger are also available with hydraulic operation.

BPW drawbars are manufactured from high-quality UNP profile steel from U 65 to U 100, and the bearing bushes from plastic, brass or rubber-metal. It goes without saying that our drawbars are cathophoretic electro-dip coated for full corrosion protection.



## BPW drawbars



Standard length L mm	Standard width between centres B mm	Type TBZ 18 D-value = 99 kN Gross vehicle weight rating = 18,000 kg Permitted front axle load = 8,000 kg Section: U 65, DIN 1026 Certificate no:			Type TBZ 27 D-value = 125 kN Gross vehicle weight rating = 27,000 kg Permitted front axle load = 10,000 kg Section: U 80, DIN 1026 Certificate no:			Type TBZ 32 D-value = 125 kN Gross vehicle weight rating = 32,000 kg Permitted front axle load = 12,000 kg Section: U 100, DIN 1028 Certificate no:		
		Number of struts	Weight kg	Bearing eyes Hd mm	Number of struts	Weight kg	Bearing eyes Hd mm	Number of struts	Weight kg	Bearing eyes Hd mm
1400		1	30					1	40	
1500		1	30		1	34		1	42	
1600		1	32		1	36		1	44	
1700		1	34	70/26	1	38		1	46	
1800		2	36	80/28	1	40	70/26	1	48	
1900	860/	2	38	80/30	1	42	80/28	1	50	
2000	900/	2	40	100/30*	1	44	80/30	1	52	80/28
2100	980/	2	42		2	46	100/30*	1	54	80/30
2200	1000/	2	46		2	48		2	56	100/30*
2300	1100/	2	48		2	50		2	58	
2400	1200/	2	50		2	54		2	62	
2500	1300				2	58		2	64	
2600					2	61		2	66	
2700								2	68	
2800								2	70	
2900								2	72	
3000								2	74	

\* Also available with low-maintenance rubber/metal bush on request.

As standard with towing eye  $\varnothing$  40 mm (DIN 7405-40A). All drawbars are also available with towing eye  $\varnothing$  50 mm (DIN 74053-50A).

Other dimensions and towing eyes are available on request.