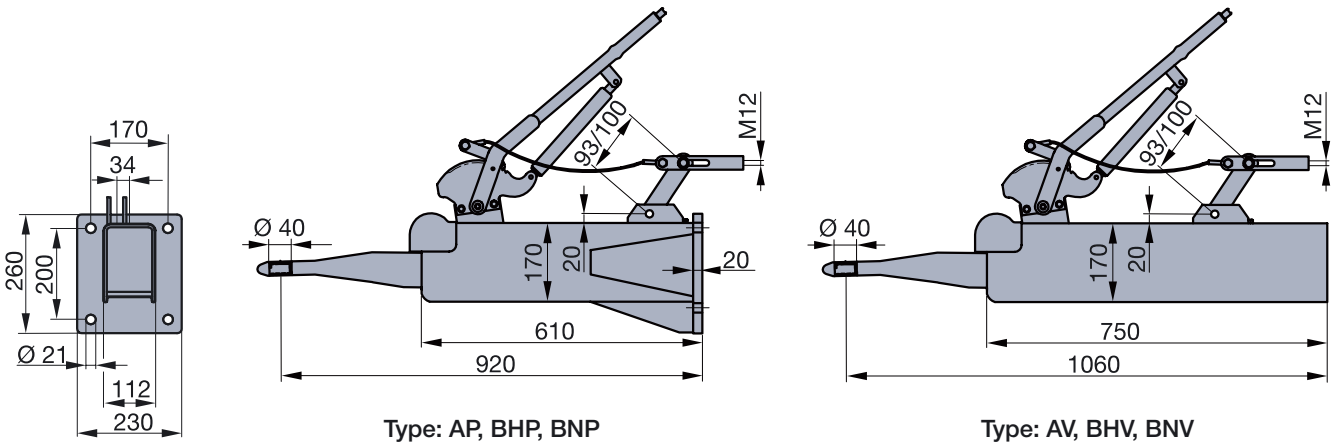


**BPW overrun hitches AVE 2000**



Type: AP, BHP, BNP

Type: AV, BHV, BNV

Type	Speed		Permitted gross weight min.-max. kg	Permitted drawbar load max. kg	BPW order no. with wheel brake		kg	Wheel brake type	Steering lever ratio mm	Overrun travel mm
	up to 25 km/h	over 25 km/h			S 3006-7 RA	S 3008-RA				
AP	x		5557-8000	1600	48.69.533.040	48.69.533.002	60	S 3006-7 RAZG	120/100	120
BHP	x	x	4920-8000	1000	48.69.533.040	48.69.533.002	60	S 3006-7 RASK	120/100	120
AV	x		5557-8000	1600	48.69.533.041	48.69.533.003	55	S 3008 RAZG	120/93	100
BHV	x	x	4920-8000	1000	48.69.533.041	48.69.533.003	55	S 3008 RASK	120/93	100
BNP	x	x	3242-5600	840	48.63.533.020	48.63.533.002	60			
BNV	x	x	3242-5600	840	48.63.533.021	48.63.533.003	55			

Type with: • Hydraulic shock absorber • Overrun travel 120 mm, 100 mm • Steering lever 120:100/120:93

The type with a flange plate is available with a loose counterplate.

This plate can be ordered separately by quoting BPW order number 03.294.51.01.0.

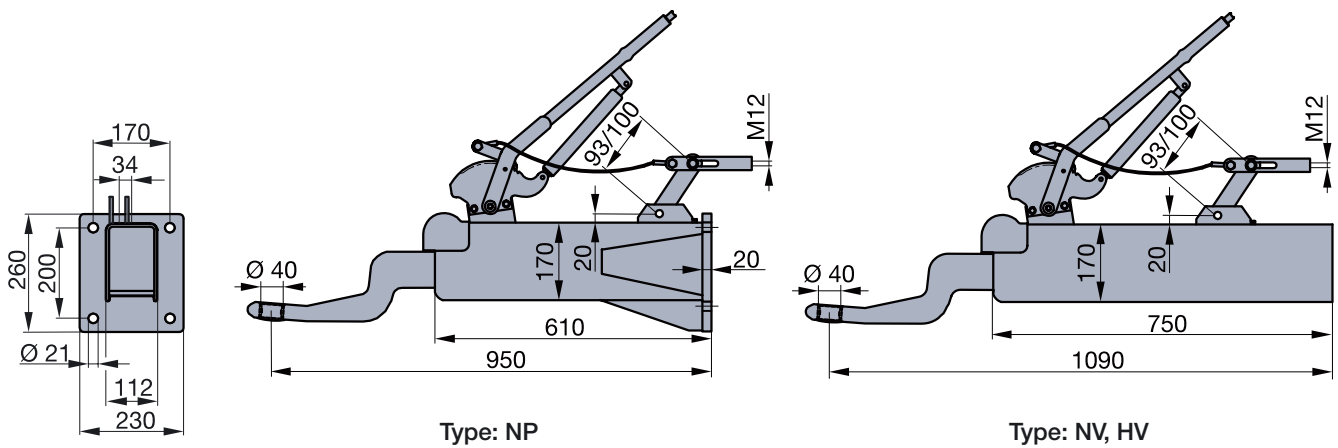
Transmission device see page 50.

Other types available on request.



The type-approved AVE 2000 and AVEG 2000 overrun hitches are typically used for tippers, loaders and bowsters. Supported by shock absorbers, the reaction shaft provides for effective decoupling between towing and towed vehicles. BPW overrun hitch mechanisms are available in a variety of installation and flange sizes. With a brake system optimally geared to BPW wheel brakes and optionally available with brake lever transmission.

## BPW overrun hitches AVEG 2000



Type	Speed		Permitted gross weight min.-max. kg	Permitted drawbar load max. kg	BPW order no. with wheel brake		kg	Wheel brake type	Steering lever ratio mm	Overrun travel mm
	up to 25 km/h	over 25 km/h			S 3006-7 RA	S 3008 RA				
NP	x	x	5046-8000	1000	48.69.533.120	48.69.533.102	63	S 3006-7 RAZG	120/100	120
NV	x	x	5046-8000	1000	48.69.533.121	48.69.533.103	58	S 3006-7 RASK	120/100	120
HV	x	x	6348-8000	1200	48.69.533.121	48.69.533.103	58	S 3008 RAZG	120/93	100
								S 3008 RASK	120/93	100

Type with: • Hydraulic shock absorber • Overrun travel 120 mm, 100 mm • Steering lever 120:100 / 120:93

The type with a flange plate is available with a loose counterplate.

This plate can be ordered separately by quoting BPW order number 03.294.51.01.0.

Transmission device see page 50.

Other types available on request.