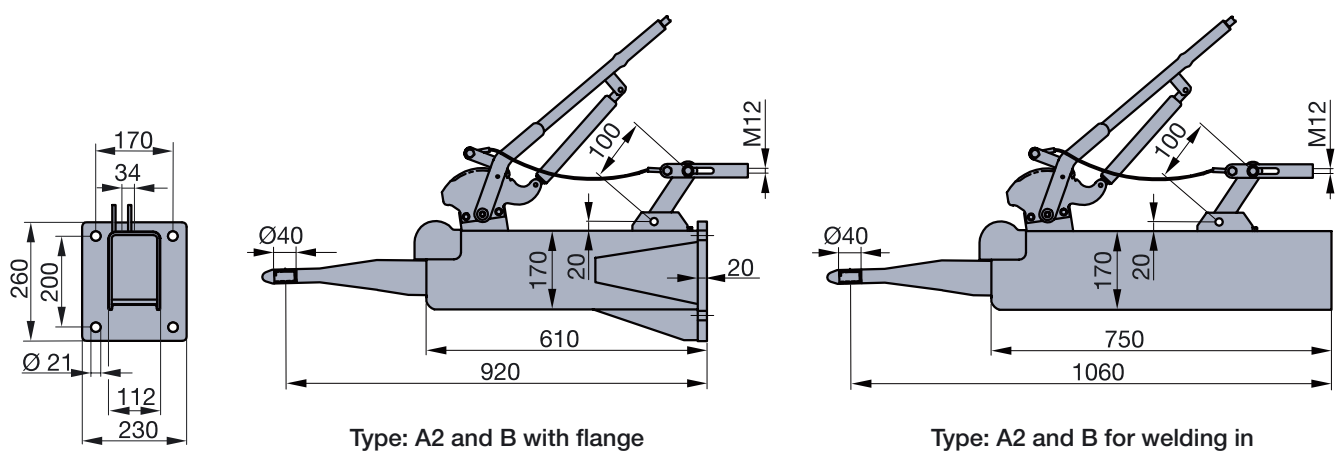




BPW overrun hitches AVEK 2000



Type	Speed		Permitted gross weight min.-max. kg	Permitted drawbar load max. kg with flange	BPW order no. with wheel brake		
	up to 25 km/h	over 25 km/h			for welded attachment	kg	
A2	x		1840-7250	500	48.68.533.001	48.68.533.002	60/55
A2		x	1840-3620	500	48.68.533.001	48.68.533.002	60/55
B	x		2310-8000	500	48.69.533.300	48.69.533.301	60/55
B		x	2310-4630	500	48.69.533.300	48.69.533.301	60/55

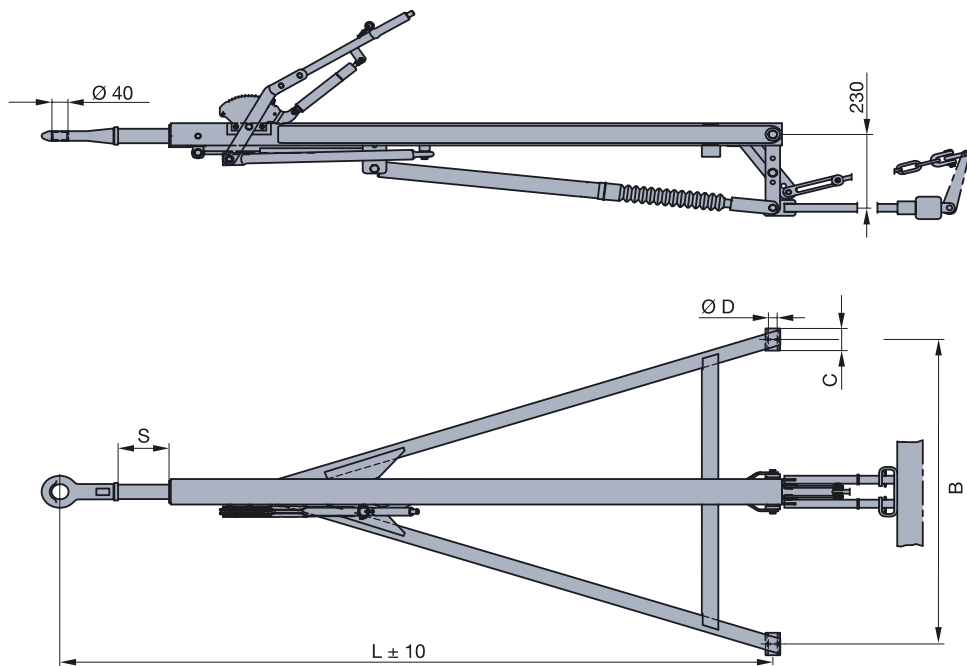
Wheel brake type	Steering lever ratio mm	Overrun travel mm
S 3006-7 RAZG	120/100	120
S 3006-7 RASK	120/100	120

Type with: • Hydraulic shock absorber • Overrun travel 120 mm • Steering lever 120:100
 The type with a flange plate is available with a loose counterplate.
 This plate can be ordered separately by quoting BPW order number 03.294.51.01.0.
 Transmission device see page 50.
 Other types available on request.

The AM 2000 overrun hitch is particularly suited for use with dump trucks. Its height-adjustment facility ensures that the overrun hitch remains horizontally positioned at all times, thereby simplifying coupling and decoupling operations. Further user comfort is afforded by a shock absorber-supported reaction shaft, and of course the installation dimensions are tailored to suit each specific vehicle.



BPW overrun hitches AM 2000



Type	Permitted gross weight min.-max.		Overrun travel						BPW order no. with wheel brake S 3006-7 RA *S 3008 RA kg	Wheel brake type	Steering lever ratio mm	Overrun travel mm
	up to 25 km/h	over 25 km/h	S mm	L mm	B mm	C mm	D mm					
AK 12/BK 12	3264-8000	5175-8000	120	1960	860	60	24	48.69.833.040	62,5	S 3006-7 RAZG/RASK	120/100	120
					1000	60	24	48.69.833.041	64,0			
					1000	70	26	48.69.833.042	64,5			
					1100	70	26	48.69.833.043	66,5			
					1200	70	26	48.69.833.044	68,1			
AK 14/BK 14	3264-8000	5632-8000	140	1960	860	60	24	*48.69.833.080	62,5	S 3008 RAZG/RASK	120/60	140
					1000	60	24	*48.69.833.081	64,0			
					1000	70	26	*48.69.833.082	64,5			
					1100	70	26	*48.69.833.083	66,5			
					1200	70	26	*48.69.833.084	68,1			

- Hydraulic shock absorber
- With height adjustment mechanism type Klemmfix 2000, ABG no.: F 820
- Not affected by ground conditions due to reversing lever bearings
- For 2 and 4-wheel braking
- Transmission device see page 50
- Other types available on request