



Info nr. 17.02.05

Dato: 17.02.05 | Utstedt av: L.R. | Varegruppe: Intern: x | Ekstern: x

Nye rep.sett for luftfjæring/akselløft.

09.801.06.87.0 - Rep.sett for "gammel type" justerbar luftfjæringsbrakett.

Pos.nr.	Benevning	Antall	Varenummer
1005	Fjærforing	1	02.0316.90.00
1155	Bolt M30x200	1	03.341.05.04.0
1160	Glidestykke	2	03.181.20.08.0
1161	Justerplate	2	03.281.54.14.0
1165	Skive	1	03.320.34.53.0
1168	Mutter M30	1	03.260.15.01.0
1525	Sliteplate	2+2	03.281.25.04.0/03.281.25.06.0
1540	Kulisse	2	03.001.14.86.0

09.801.06.92.0 - Rep.sett for "ny type" justerbar luftfjæringsbrakett.

Pos.nr.	Benevning	Antall	Varenummer
1005	Fjærforing	1	02.0316.90.00
1155	Bolt M30x200	1	03.341.05.04.0
1161	Justerplate	2	03.281.54.18.0
1165	Skive	1	03.320.34.53.0
1168	Mutter M30	1	03.260.15.01.0
1525	Sliteplate	2	03.164.35.01.0
1540	Sveiseboss	2	03.113.23.01.0

09.801.06.77.0 - Rep.sett for sidemontert akselløft.

Pos.nr.	Benevning	Antall	Varenummer
1005	Fjærforing	1	02.0316.90.00
1156	Bolt M30x265	1	03.340.15.37.0
1163	Skive	2	02.5401.31.01
1168	Mutter M30	1	03.260.15.01.0
1175	Foring, kunststoff	2	03.113.94.10.0
1180	Foring, stål	2	03.113.01.29.0
1520	Sliteplate	2+2	03.281.15.03.0/03.281.35.16.0
1535	Sveiseboss	2	03.113.01.34.0
1560	Dreiesikring	1	03.161.35.07.0
1615	Vogge for løftearm	1	05.189.13.19.0

SE VEDLAGTE TEGNINGER.

L.R.

Hovedkontor:

Hofstads A/S
Tlf: 22 10 10 50
Fax: 22 21 55 75
E-post: POST@HOFSTADS.NO

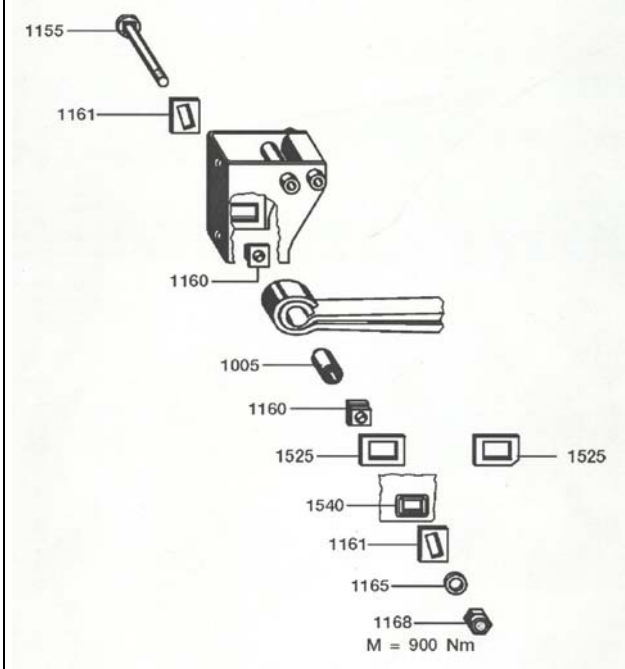
Avd. Trondheim

Hofstads A/S
Tlf: 73 80 21 80
Fax: 73 80 21 70

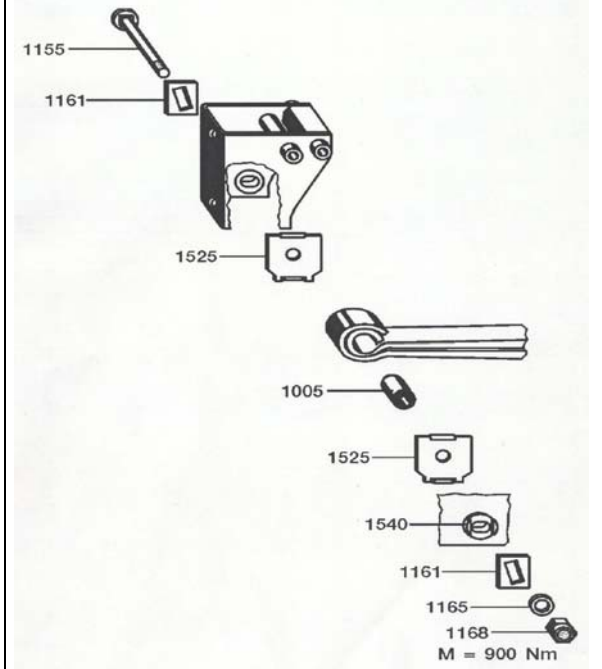
Avd. Tromsø

Hofstads A/S
Tlf: 77 67 13 74
Fax: 77 67 18 91

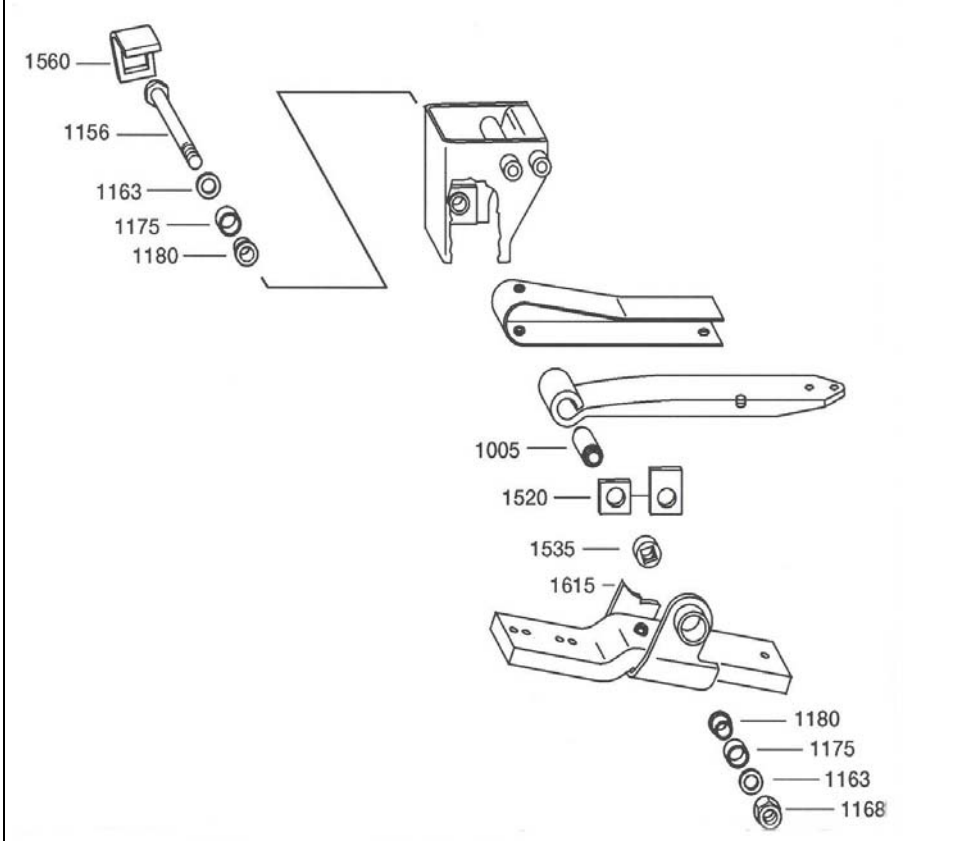
09.801.06.87.0



09.801.06.92.0



09.801.06.77.0



Hovedkontor:

Hofstads A/S
Tlf: 22 10 10 50
Fax: 22 21 55 75
E-post: POST@HOFSTADS.NO

Avd. Trondheim

Hofstads A/S
Tlf: 73 80 21 80
Fax: 73 80 21 70

Avd. Tromsø

Hofstads A/S
Tlf: 77 67 13 74
Fax: 77 67 18 91